

PROJECT: _____	UNIT TAG: _____	QUANTITY: _____
REPRESENTATIVE: _____	TYPE OF SERVICE: _____	DATE: _____
ENGINEER: _____	SUBMITTED BY: _____	DATE: _____
CONTRACTOR: _____	APPROVED BY: _____	DATE: _____
	ORDER NO.: _____	DATE: _____

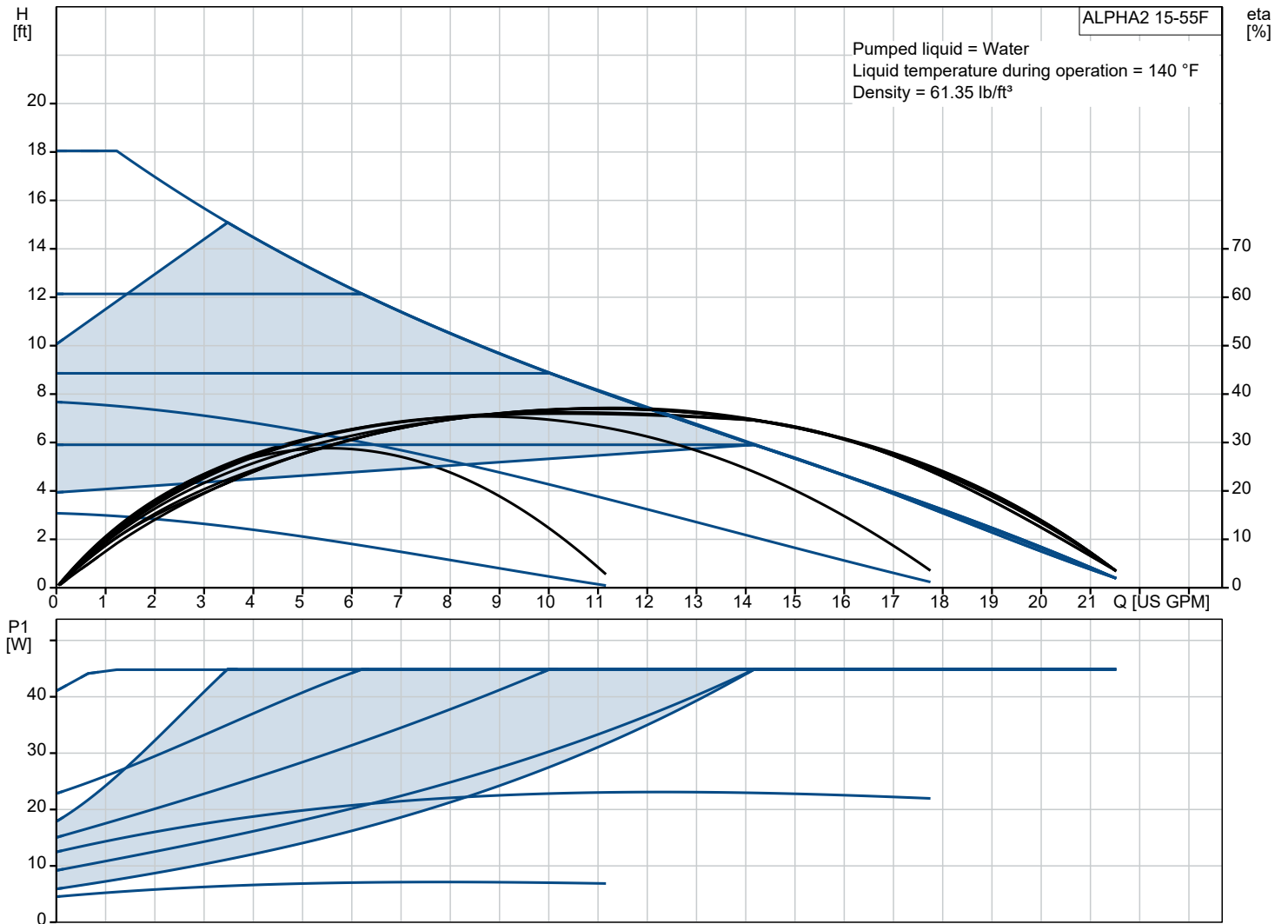


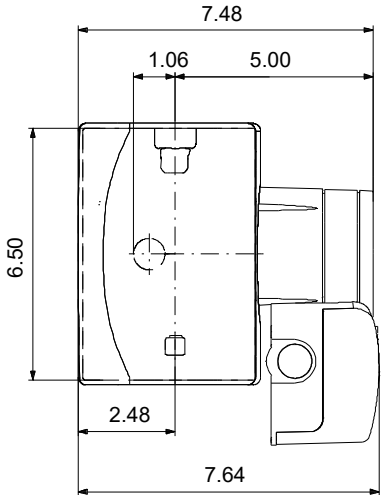
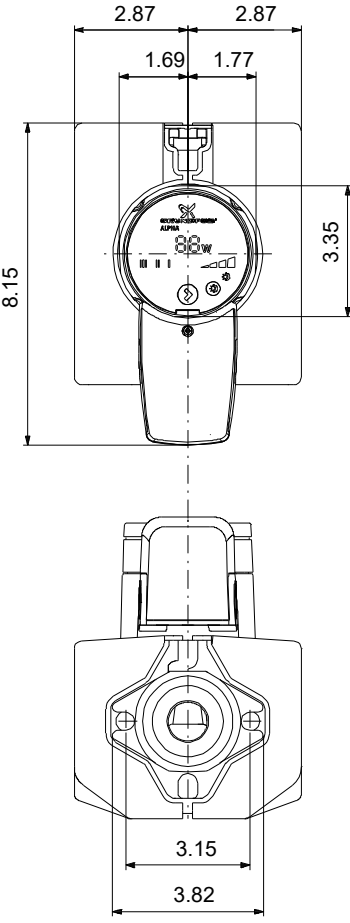
## ALPHA2 15-55F

ALPHA2 15-55 is a high-efficiency ECM variable speed circulator designed for a variety of heating and hot-water recirculation applications. The pump features AUTOADAPT and constant-pressure control modes.

Note! Product picture may differ from actual product

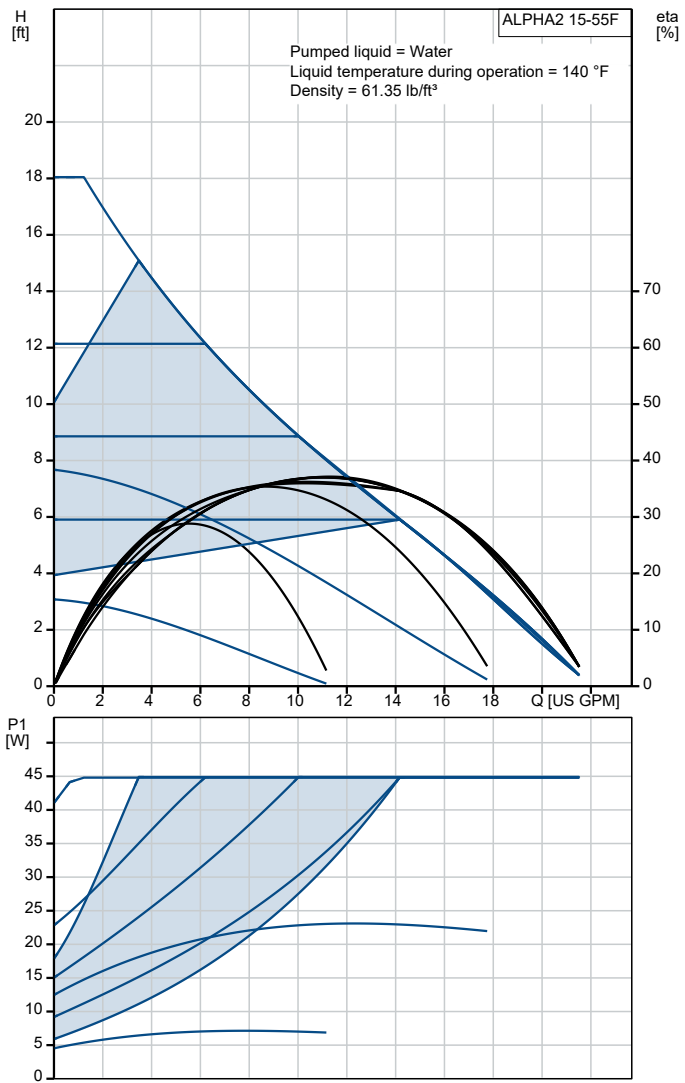
Conditions of Service		Pump Data		Motor Data	
Liquid:	Water	Maximum operating pressure:	145.04 psi	P1 max:	5 .. 45 W
Temperature:	140 °F	Liquid temperature range:	35.6 .. 230 °F	Rated voltage:	115 V
Specific Gravity:	0.985	Maximum ambient temperature:	104 °F	Mains frequency:	60 Hz
		Approvals:	ETL, FCC	Enclosure class:	IP42
		Product number:	99163903	Insulation class:	F
				Motor protection:	NONE
				Thermal protection:	ELEC



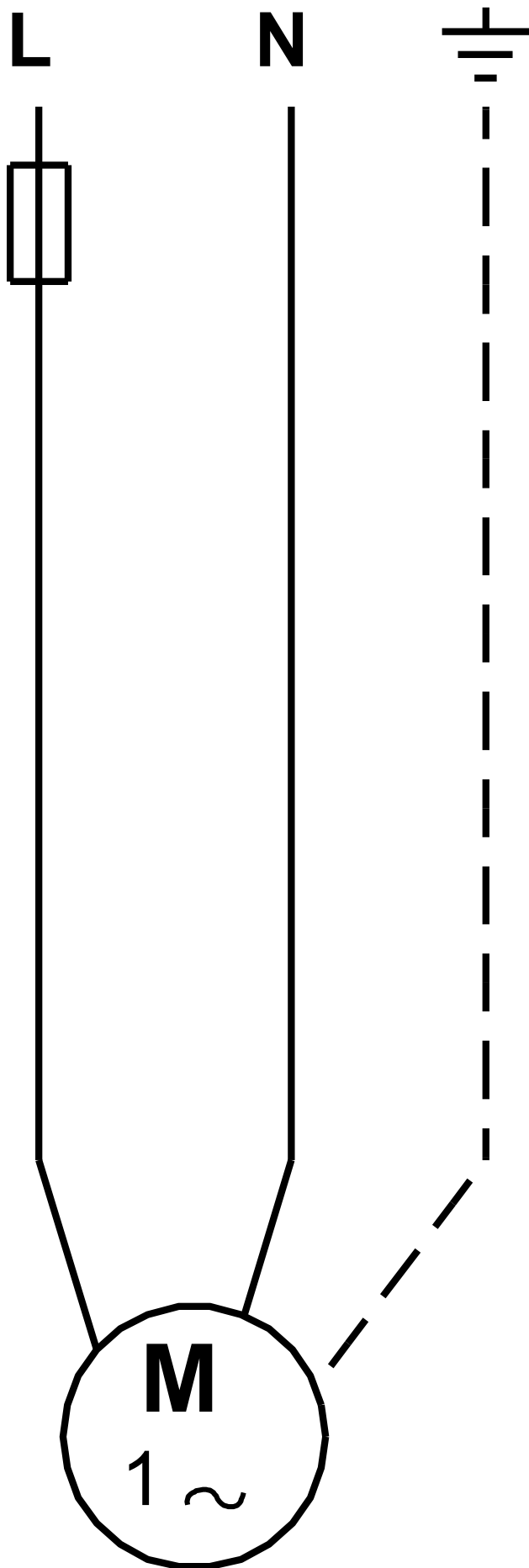


**Materials:**  
Pump housing: Cast iron  
Pump housing: EN 1561 EN-GJL-150  
Impeller: Composite

Description	Value
<b>General information:</b>	
Product name:	ALPHA2 15-55F
Product No:	99163903
EAN number:	5712607918224
<b>Technical:</b>	
Head max:	18.05 ft
TF class:	110
Approvals on nameplate:	ETL, FCC
<b>Materials:</b>	
Pump housing:	Cast iron
Pump housing:	EN 1561 EN-GJL-150
Impeller:	Composite
<b>Installation:</b>	
Range of ambient temperature:	32 .. 104 °F
Maximum operating pressure:	145.04 psi
Type of connection:	GF
Pressure rating:	PN 10
Port-to-port length:	6 1/2 in
<b>Liquid:</b>	
Pumped liquid:	Water
Liquid temperature range:	35.6 .. 230 °F
Selected liquid temperature:	140 °F
Density:	61.35 lb/ft³
<b>Electrical data:</b>	
Power input - P1:	5 .. 45 W
Mains frequency:	60 Hz
Rated voltage:	1 x 115 V
Maximum current consumption:	0.1 .. 0.65 A
Enclosure class (IEC 34-5):	IP42
Insulation class (IEC 85):	F
Built-in motor protection:	NONE
Thermal protec:	ELEC
<b>Controls:</b>	
Pos term box:	6H
<b>Others:</b>	
Net weight:	7.06 lb
Gross weight:	7.37 lb
Shipping volume:	0.28 ft³
Sales region:	USA



99163903 ALPHA2 15-55F 60 Hz



Note! All units are in [in] unless others are stated.