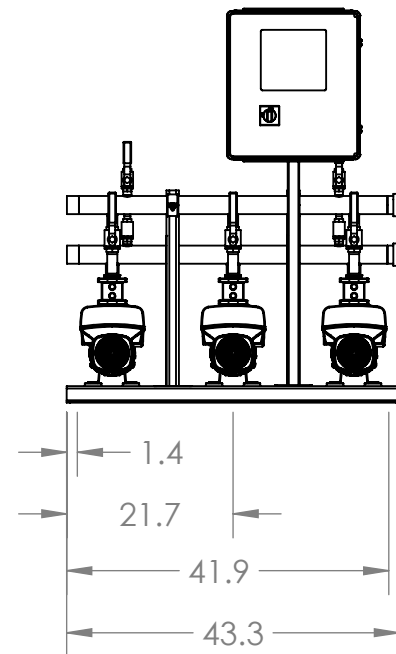
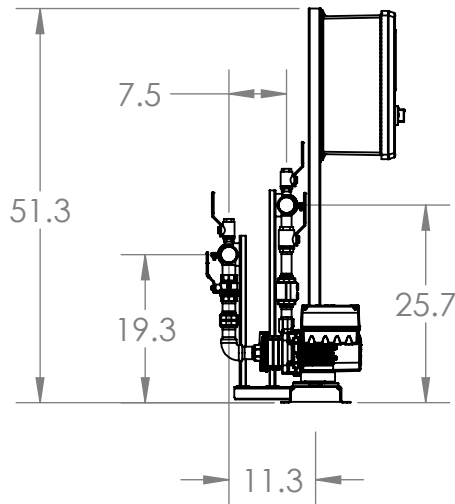
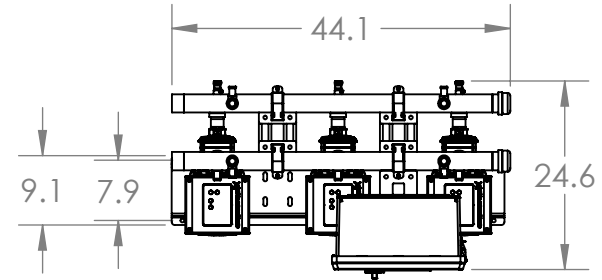
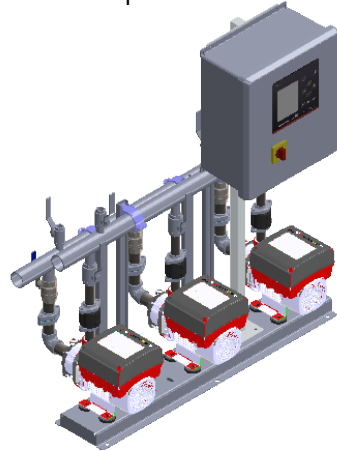


1. Manifolds 2" NPT AISI 316SS Schedule 10s ASTM A312 or  $\phi$  60.3mm x2mm
2. Base/Frame AISI 304SS
3. Full port ball valve ASTM
4. UL Type 3R/12 rated electrical panel



Note:  
 All dimensions are  $\pm 0.5"$   
 Not for Construction  
 All dimensions subject to  
 changewithout notice.

BoosterpaQ Model: HYDRO MPC E 3CME5-4

Power: 3x208-230 60HZ 3x2HP

Job:

Scale: 1:25

Dwg No:

Rev: 0

Date:

6/19/2019

Drawer

71999

Page:

1 of 1