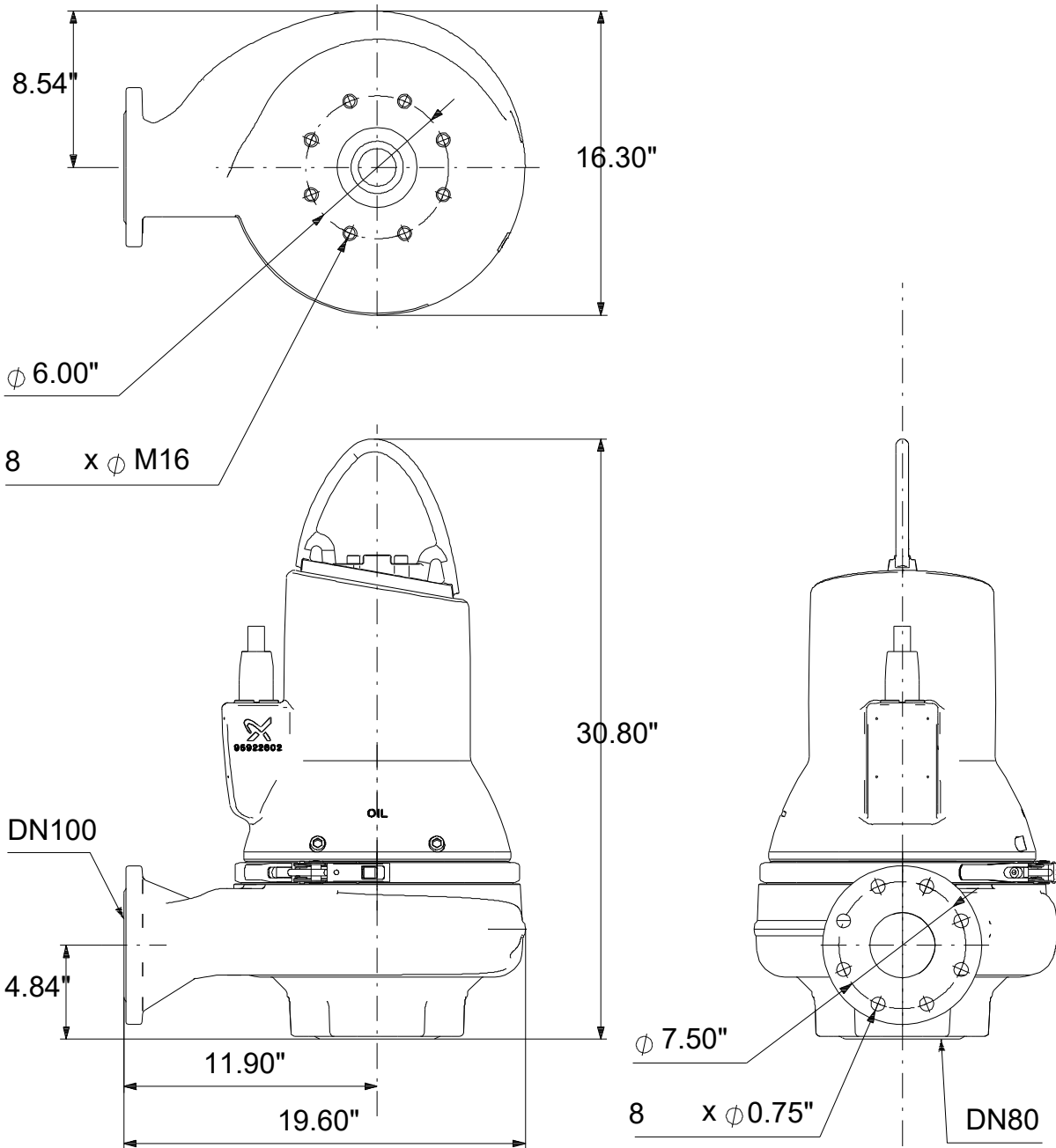
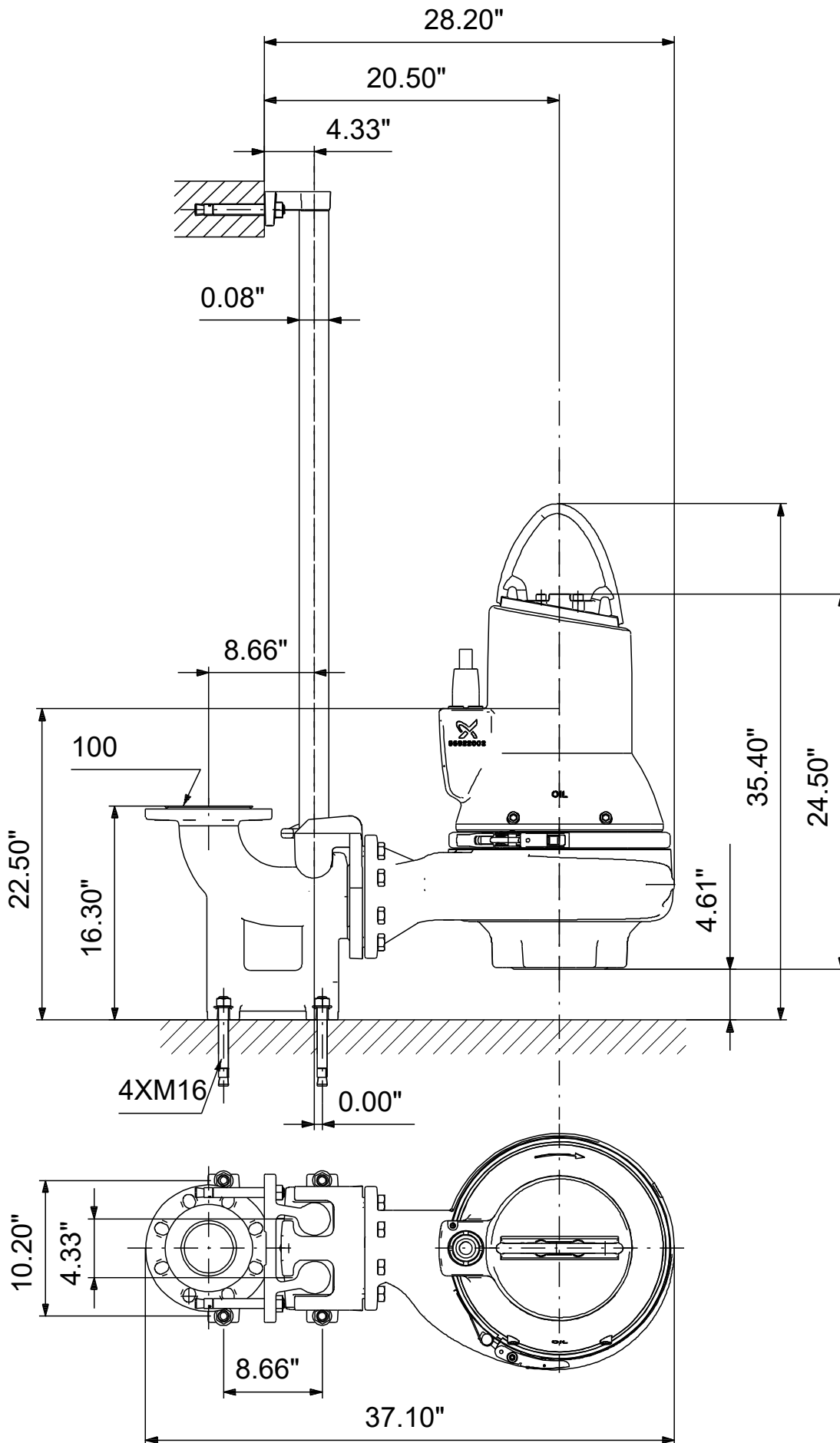


99034525 SLV.30.A40 .125.EX.2.60J.C 60 Hz



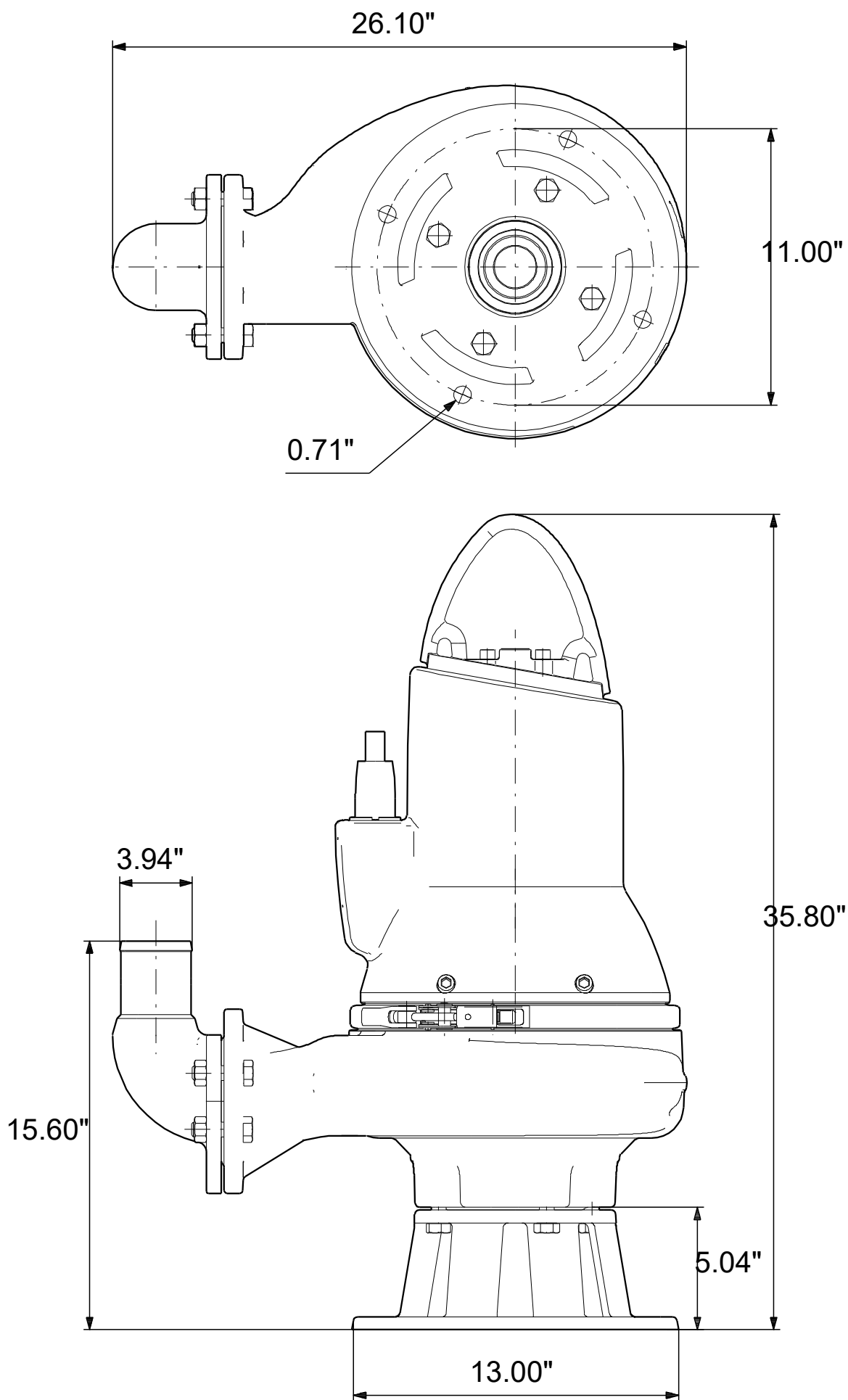
Note! All units are in [in] unless others are stated.
Disclaimer: This simplified dimensional drawing does not show all details.

99034525 SLV.30.A40 .125.EX.2.60J.C 60 Hz



Note! All units are in [in] unless others are stated
Disclaimer: This simplified dimensional drawing does not show all details.

99034525 SLV.30.A40 .125.EX.2.60J.C 60 Hz



Note! All units are in [in] unless others are stated.
Disclaimer: This simplified dimensional drawing does not show all details.

Spare parts SLV.30.A40, Product No. 99034525
Produced After 1840 (production year and week number)

Pos	Description	Annotation	Classification Data	Part no.	Qty.	Unit
-	Kit, Bearing			96690705	1	pcs
99a	Retaining ring				1	
153	Ball bearing		Designation: 6306.2Z.C4.SYN		1	
154	Ball bearing				1	
158	Waved washer				1	
-	Kit, Guide shoe			98564312	1	pcs
	Guide shoe				1	
704	Rubber seal				1	
-	Kit, Guide shoe			98564316	1	pcs
	Guide shoe				1	
704	Rubber seal				1	
-	Kit, Impeller fixing part			99491043	1	pcs
66b	Wedge lock washer		Designation: M12		1	
66	Washer		Internal diameter: 12.5		1	
			Outer diameter: 31			
			Thickness: 5			
157	Waved washer				1	
188a	Hex socket head cap screw		Length (mm): 35		1	
			Thread: M12			
-	Kit, Lifting bracket			96873519	1	pcs
118a	Hex socket head cap screw				2	
190	Lifting bracket				1	
-	Kit, O-rings			96873543	1	pcs
37b	O-ring		Diameter: 270		1	
			Material type: NBR			
			Thickness: 4			
37a	O-ring		Diameter: 297		1	
			Material type: NBR70			
			Thickness: 4			
37	O-ring		Diameter: 330		1	
			Material type: NBR70			
			Thickness: 4			
106	O-ring		Diameter: 62		2	
			Material type: NBR			
			Thickness: 3			
107	O-ring		Diameter: 160		1	
			Material type: NBR70			
			Thickness: 3			
109	O-ring		Diameter: 100		1	
			Material type: NBR			
			Thickness: 3			
153b	O-ring		Diameter: 28		1	
			Material type: NBR			
			Thickness: 2			
194	Washer		Internal diameter: 19		2	
			Outer diameter: 12.2			
			Thickness: 4.4			
198	O-ring				1	
-	Kit, Pin housing			96778912	1	pcs
176	Plug				1	
1031	Connector pin				15	
-	Kit, Shaft seal			99489003	1	pcs
- 105	Shaft seal				1	
	Shaft seal, stationary part					
	Shaft seal, rotating part					
	Shaft seal housing					
	Shaft seal housing					
	Retaining ring					
	Shaft seal					
	Shaft seal					
106	O-ring		Diameter: 62			
			Material type: NBR			
			Thickness: 3			
153b	O-ring					

Pos	Description	Annotation	Classification Data	Part no.	Qty.	Unit
107	O-ring		Diameter: 134.5		1	
			Material type: NBR			
			Thickness: 3			
107	O-ring		Diameter: 160		1	
			Material type: NBR70			
			Thickness: 3			
157	Waved washer				1	
-	Kit, Stator			98723457	1	pcs
	Flex insulation				0	
48	Stator				1	
176	Plug				1	
1031	Connector pin				12	
-	Kit, Upper guide rail holder			96829358	1	pcs
	Hex head bolt				2	
	Rubber				2	
	Upper guide rail holder				1	
	Washer				2	
	Washer				2	
-	Spare, Smart seal			96575028	1	pcs
704	Rubber seal				1	
6a	Pin			99472114	1	pcs
49	Impeller			99062961	1	pcs
58	Cover			96812521	1	pcs
59	Bearing cover			96810647	1	pcs
-	92 Strap cpl.			96592064	1	pcs
92a	Hex socket head cap screw			99820252	1	
99a	Retaining ring			99946400	1	pcs
155	Oil chamber			98453245	1	pcs
157	Waved washer			98786437	1	pcs
172	Shaft w/rotor			99554437	1	pcs
+ 181	Cable Ex			97634951	1	pcs
186	Hex socket head cap screw			99670655	2	pcs
187	Hex socket head cap screw			99623117	4	pcs
188a	Hex socket head cap screw			99919633	6	pcs
193	Hex socket head cap screw		Designation: A2-70	99409895	2	pcs
			Length (mm): 20			
			Thread: M12			
194	Washer		Internal diameter: 19	96961515	2	pcs
			Outer diameter: 12.2			
			Thickness: 4.4			
520	Moisture sensor			98815306	1	pcs