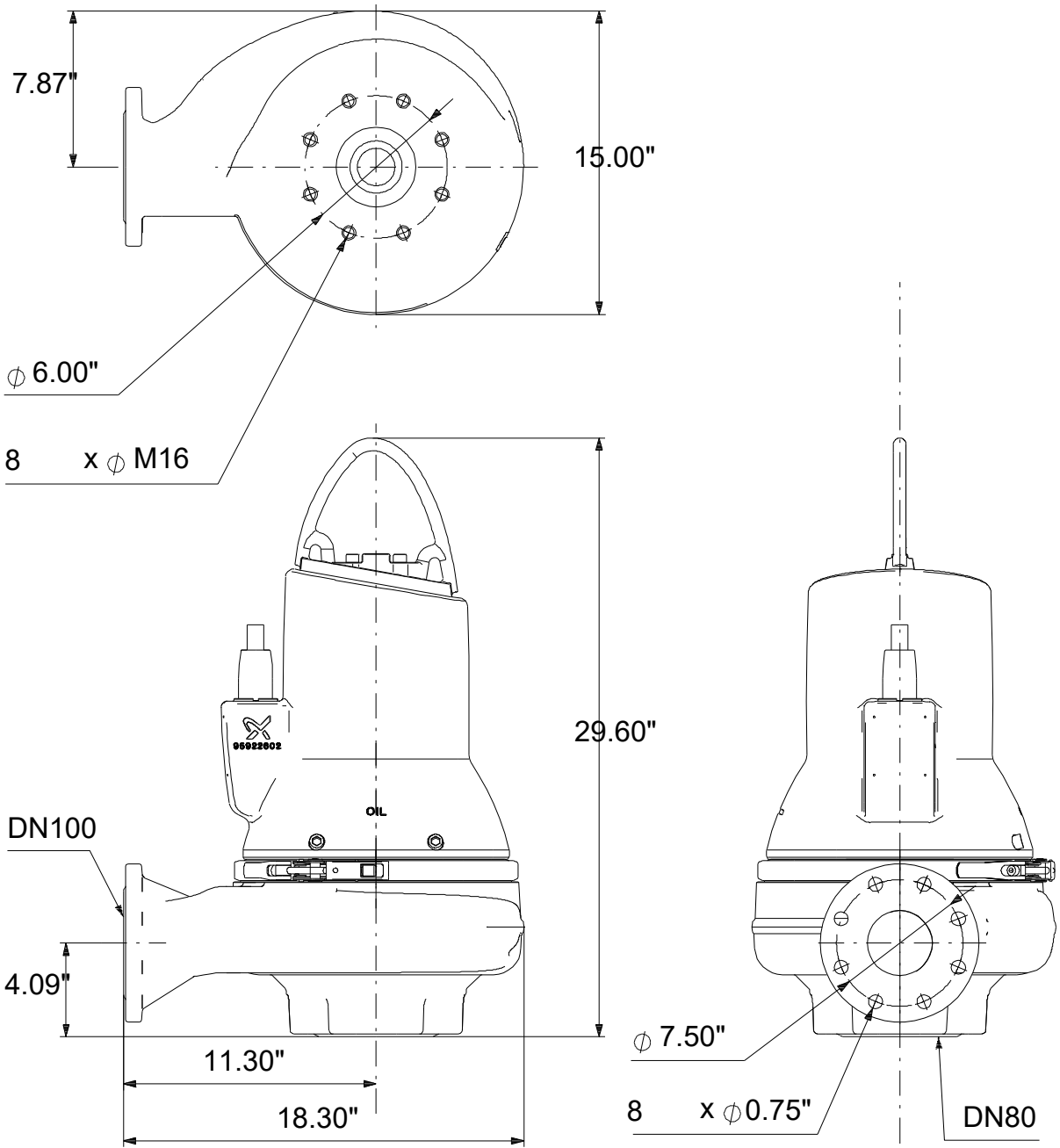
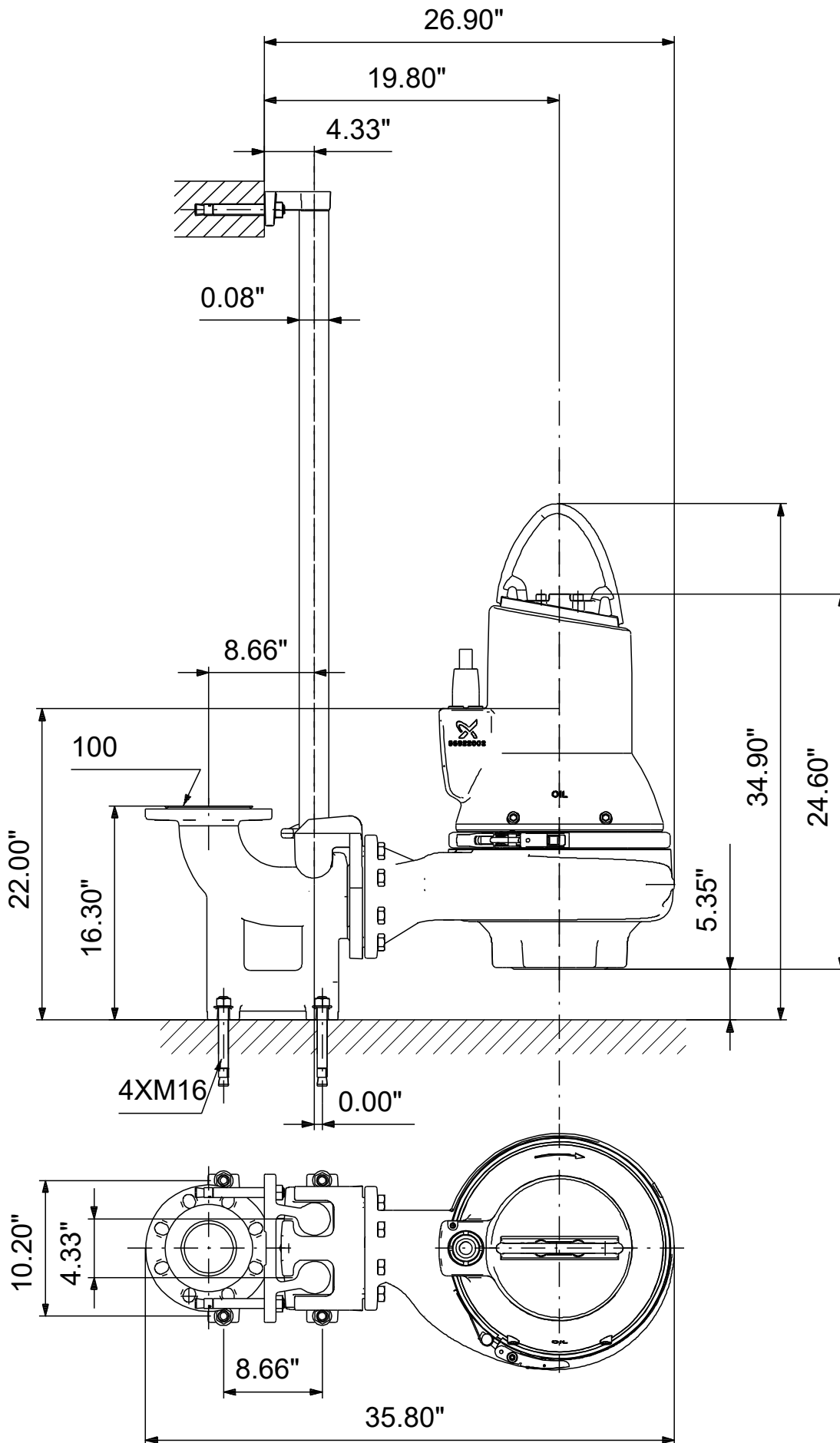


99034521 SLV.30.A40 .100.EX.2.60J.C 60 Hz



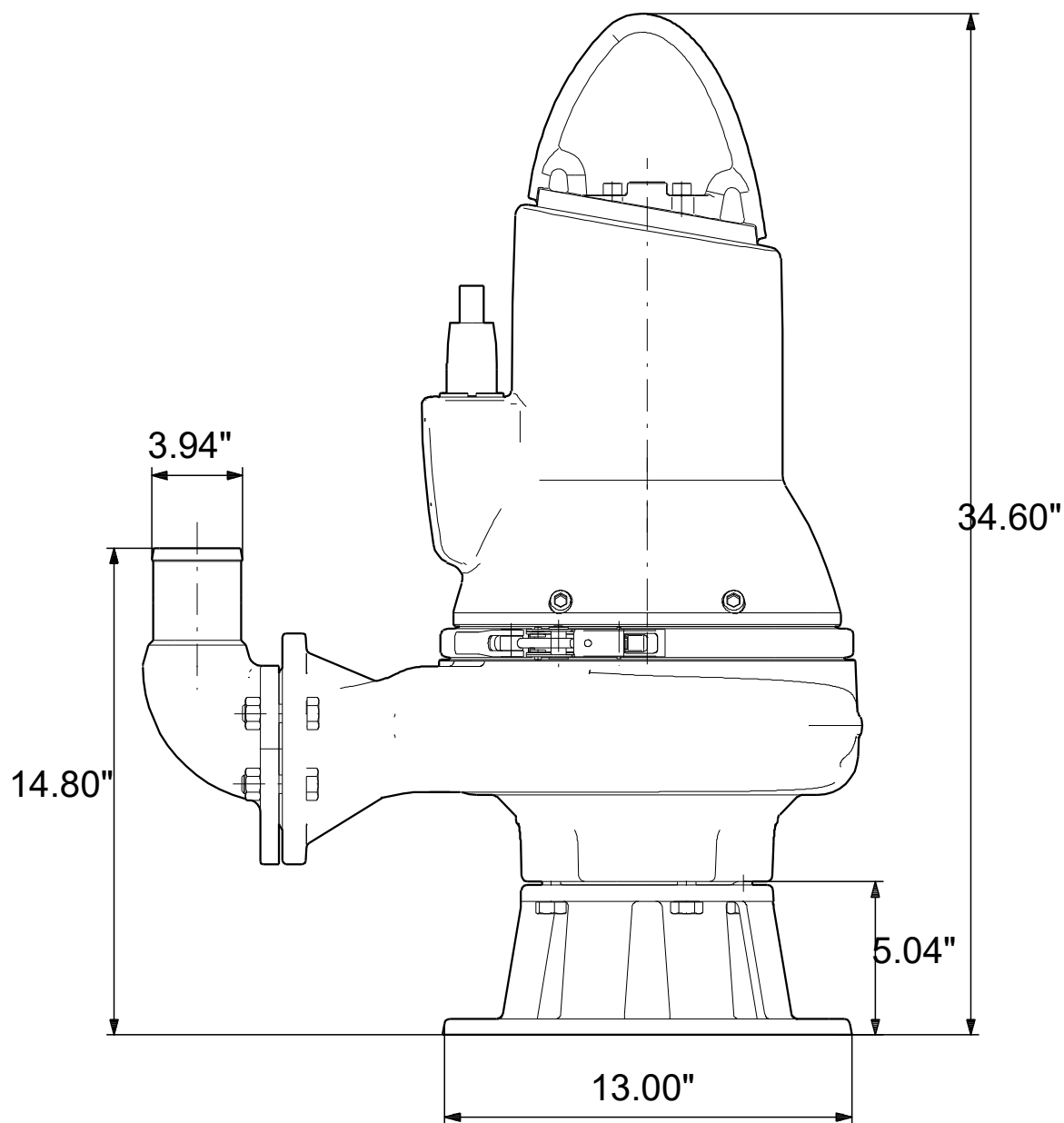
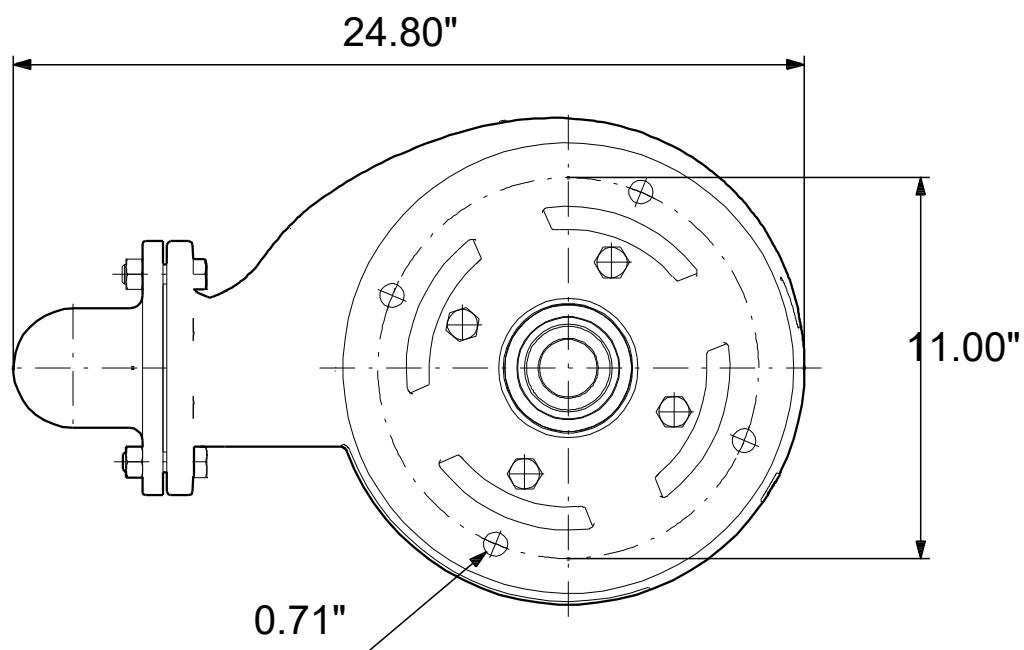
Note! All units are in [in] unless others are stated.
Disclaimer: This simplified dimensional drawing does not show all details.

99034521 SLV.30.A40 .100.EX.2.60J.C 60 Hz



Note! All units are in [in] unless others are stated
Disclaimer: This simplified dimensional drawing does not show all details.

99034521 SLV.30.A40 .100.EX.2.60J.C 60 Hz



Note! All units are in [in] unless others are stated.
Disclaimer: This simplified dimensional drawing does not show all details.