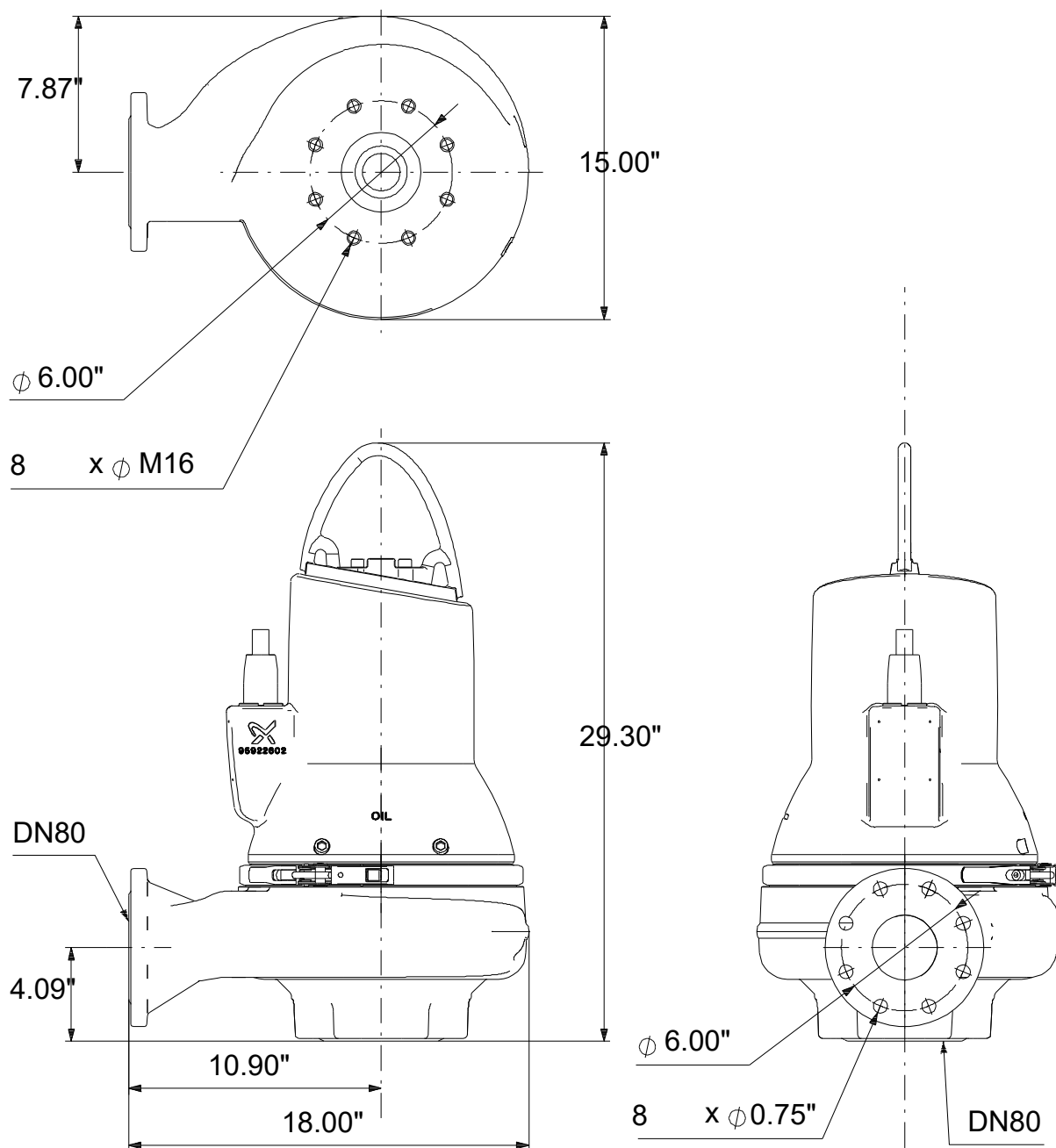
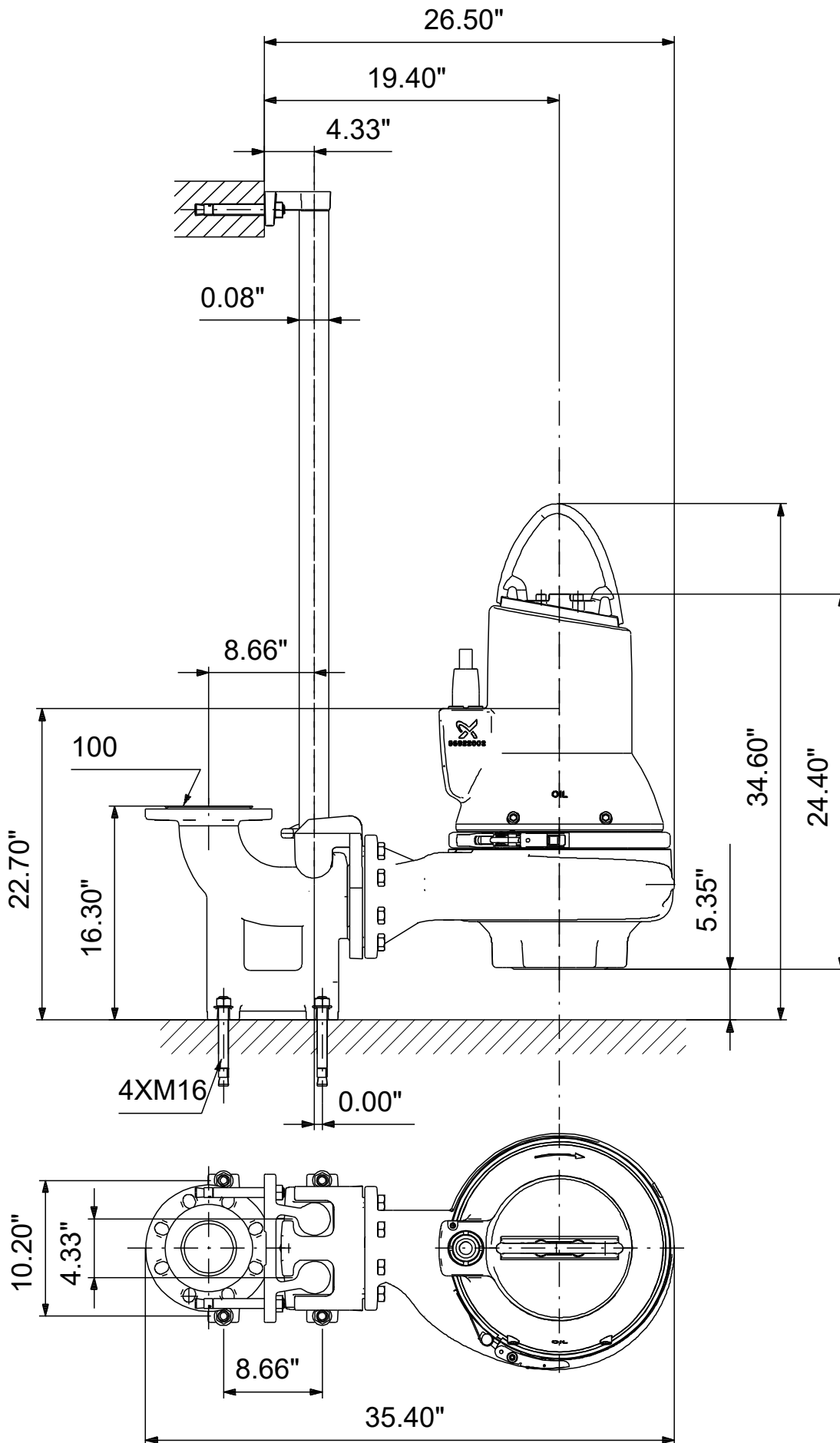


99034511 SLV.30.A30 .55.EX.2.60J.C 60 Hz



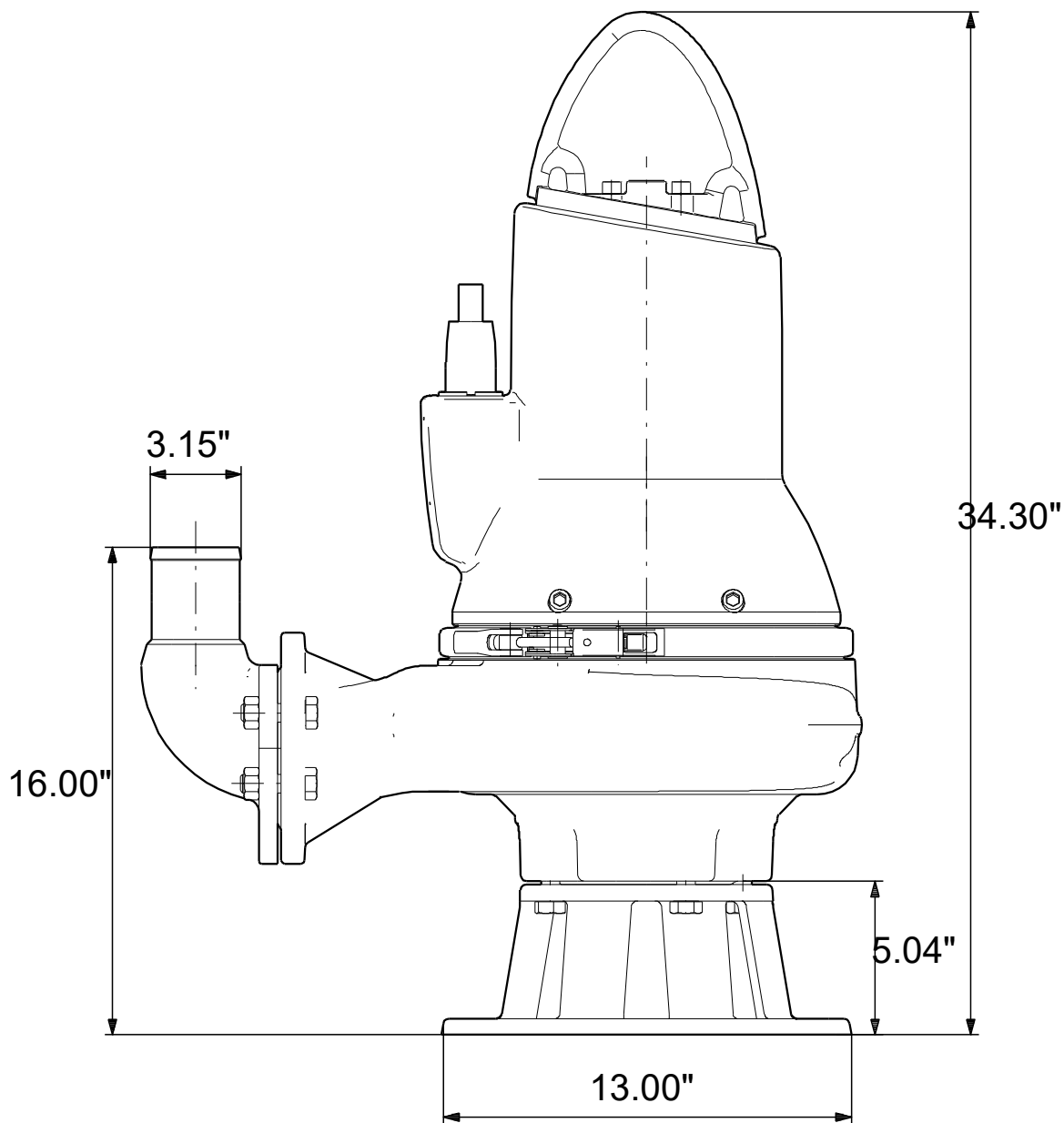
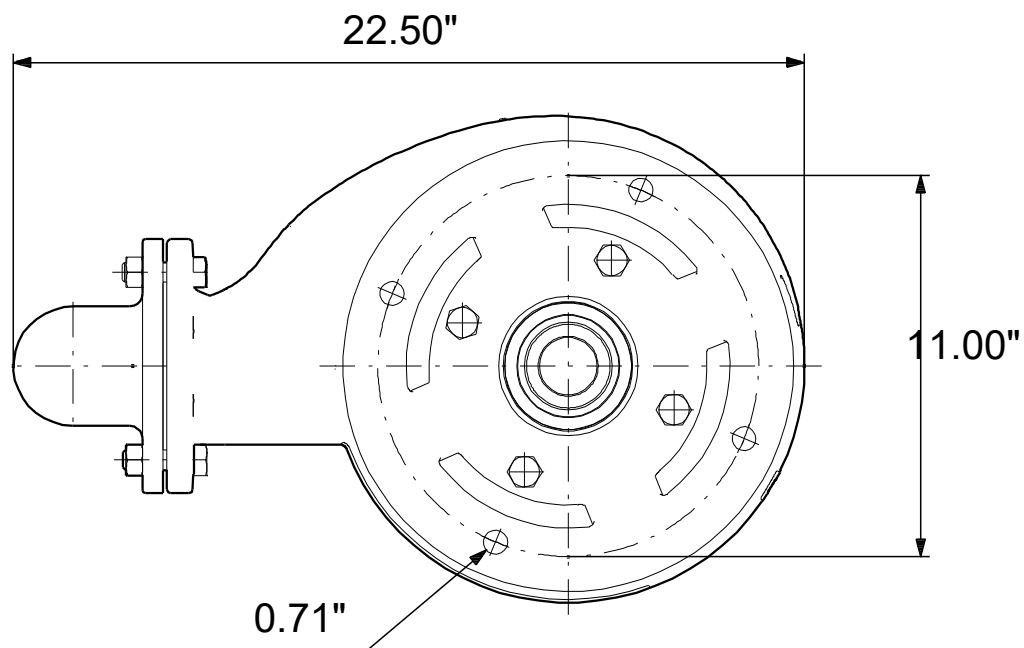
Note! All units are in [in] unless others are stated.
Disclaimer: This simplified dimensional drawing does not show all details.

99034511 SLV.30.A30 .55.EX.2.60J.C 60 Hz



Note! All units are in [in] unless others are stated
Disclaimer: This simplified dimensional drawing does not show all details.

99034511 SLV.30.A30 .55.EX.2.60J.C 60 Hz



Note! All units are in [in] unless others are stated.
Disclaimer: This simplified dimensional drawing does not show all details.

Spare parts SLV.30.A30, Product No. 99034511
Produced After 1840 (production year and week number)

Pos	Description	Annotation	Classification Data	Part no.	Qty.	Unit
-	Kit, Bearing			96904928	1	pcs
154	Angular-contact bearing				1	
154	Ball bearing		Designation: 6305.2Z.C4.SYN		1	
-	Kit, Guide shoe			98564309	1	pcs
	Guide shoe				1	
704	Rubber seal				1	
-	Kit, Guide shoe			98564314	1	pcs
	Guide shoe				1	
704	Rubber seal				1	
-	Kit, Impeller fixing part			99491046	1	pcs
7	Wedge lock washer				1	
58a	Hex socket head cap screw		Designation: DIN 912		1	
			Length (mm): 25			
			Thread: M10			
66	Washer		Internal diameter: 10.5		1	
			Outer diameter: 25			
			Thickness: 3			
157	Waved washer				1	
-	Kit, Lifting bracket			96873469	1	pcs
118a	Hex socket head cap screw				2	
190	Lifting bracket				1	
-	Kit, O-rings			96873521	1	pcs
37b	O-ring		Diameter: 250		1	
			Material type: NBR70			
			Thickness: 4			
37a	O-ring		Diameter: 270		1	
			Material type: NBR			
			Thickness: 4			
37	O-ring		Diameter: 297		1	
			Material type: NBR70			
			Thickness: 4			
102	O-ring		Diameter: 17.3		1	
			Material type: NBR			
			Thickness: 2.4			
106	O-ring		Diameter: 50		1	
			Material type: NBR			
			Thickness: 3			
107	O-ring		Diameter: 134.5		1	
			Material type: NBR			
			Thickness: 3			
109	O-ring		Diameter: 100		1	
			Material type: NBR			
			Thickness: 3			
153b	O-ring				1	
194	Washer		Internal diameter: 19		2	
			Outer diameter: 12.2			
			Thickness: 4.4			
198	O-ring				1	
-	Kit, Pin housing			96778912	1	pcs
176	Plug				1	
1031	Connector pin				15	
-	Kit, Shaft seal			99488972	1	pcs
-	105	Shaft seal			1	
		Shaft seal housing				
		Shaft seal housing				
		Shaft seal				
		Shaft seal				
34	Shaft seal, rotating part					
99a	Retaining ring					
108	O-ring		Diameter: 50			
			Material type: NBR			
			Thickness: 3			
153b	O-ring					
226a	Shaft seal, stationary part					

Pos	Description	Annotation	Classification Data	Part no.	Qty.	Unit
107	O-ring		Diameter: 134.5		1	
			Material type: NBR			
			Thickness: 3			
107	O-ring		Diameter: 110		1	
			Material type: NBR70			
			Thickness: 3			
157	Waved washer				1	
-	Kit, Stator			98723455	1	pcs
	Flex insulation				0	
48	Stator				1	
176	Plug				1	
1031	Connector pin				12	
-	Kit, Upper guide rail holder			96829357	1	pcs
	Hex head bolt				2	
	Rubber				2	
	Upper guide rail holder				1	
	Washer				2	
	Washer				2	
-	Spare, Smart seal			98969055	1	pcs
704	Rubber seal				1	
6a	Pin			99472114	1	pcs
49	Impeller			96972221	1	pcs
50	Pump housing			96960652	1	pcs
58a	Hex socket head cap screw		Designation: DIN 912	99789390	1	pcs
			Length (mm): 25			
			Thread: M10			
58	Cover			96812549	1	pcs
59	Bearing cover			96810888	1	pcs
-	92 Strap cpl.			96592063	1	pcs
92a	Hex socket head cap screw			99820252	1	
111	Ball bearing		Designation: 6305.2Z.C4.SYN	98987104	1	pcs
111	Ball bearing		Designation: 6305.2Z.C4.SYN	96591675	1	pcs
172	Shaft w/rotor			99498614	1	pcs
+ 181	Cable Ex			97634951	1	pcs
186	Hex socket head cap screw			99670655	2	pcs
187	Hex socket head cap screw			99623117	4	pcs
188a	Hex socket head cap screw			99919633	6	pcs
193	Hex socket head cap screw		Designation: A2-70	99409895	2	pcs
			Length (mm): 20			
			Thread: M12			
194	Washer		Internal diameter: 19	96961515	2	pcs
			Outer diameter: 12.2			
			Thickness: 4.4			
520	Moisture sensor			98815306	1	pcs