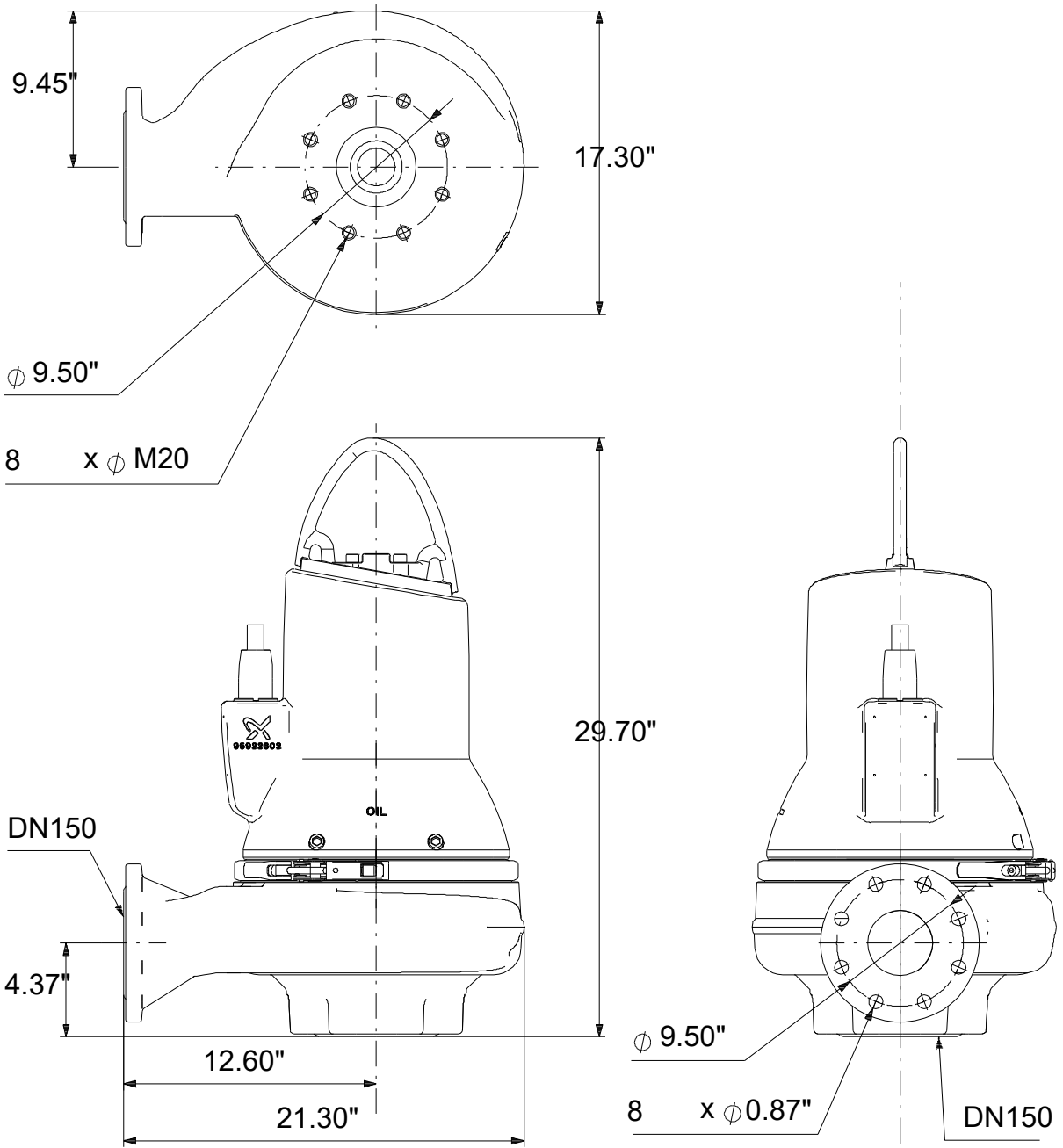
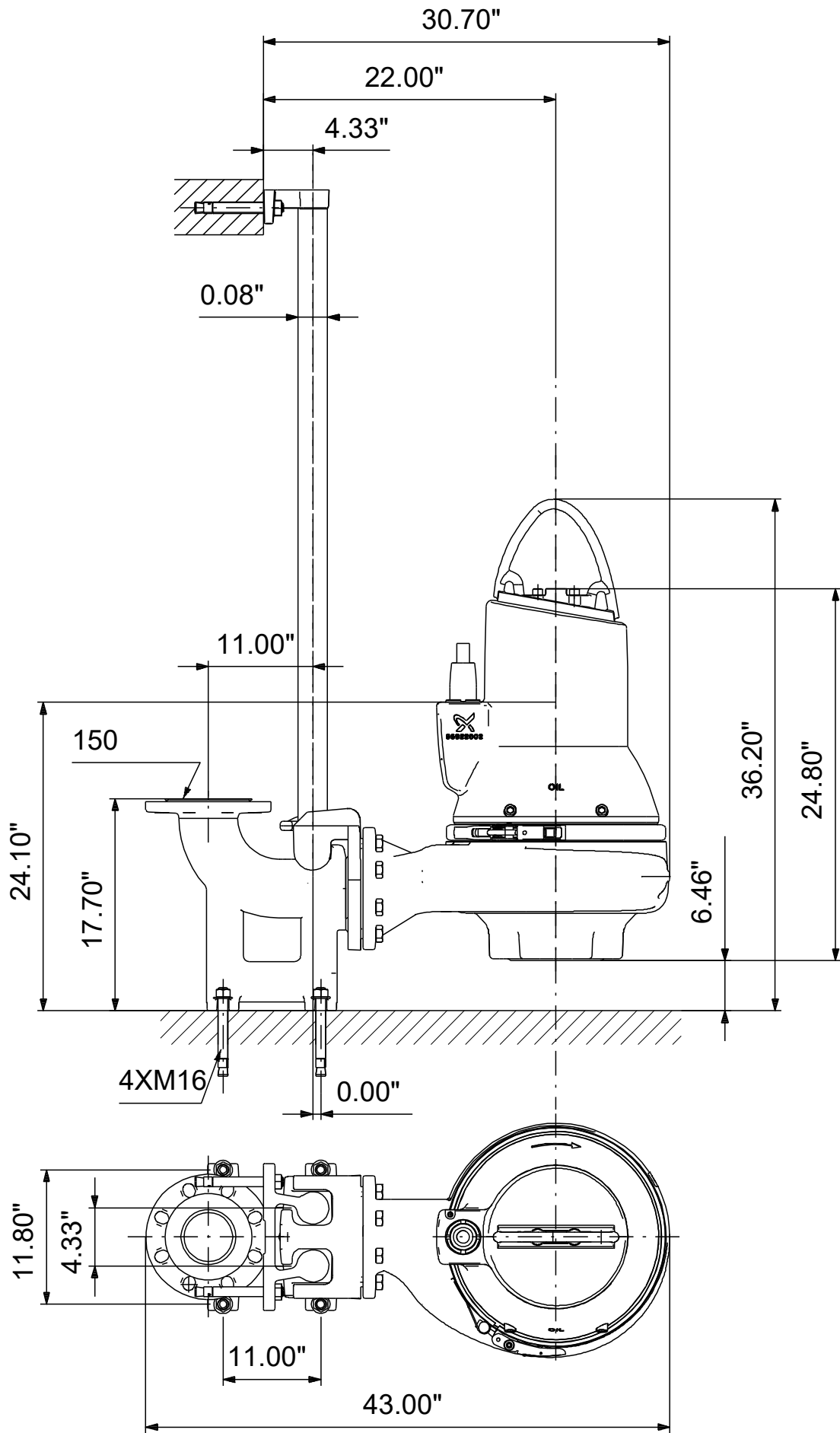


# 99034452 SL1.40.A60 .55.EX.4.60J.C 60 Hz



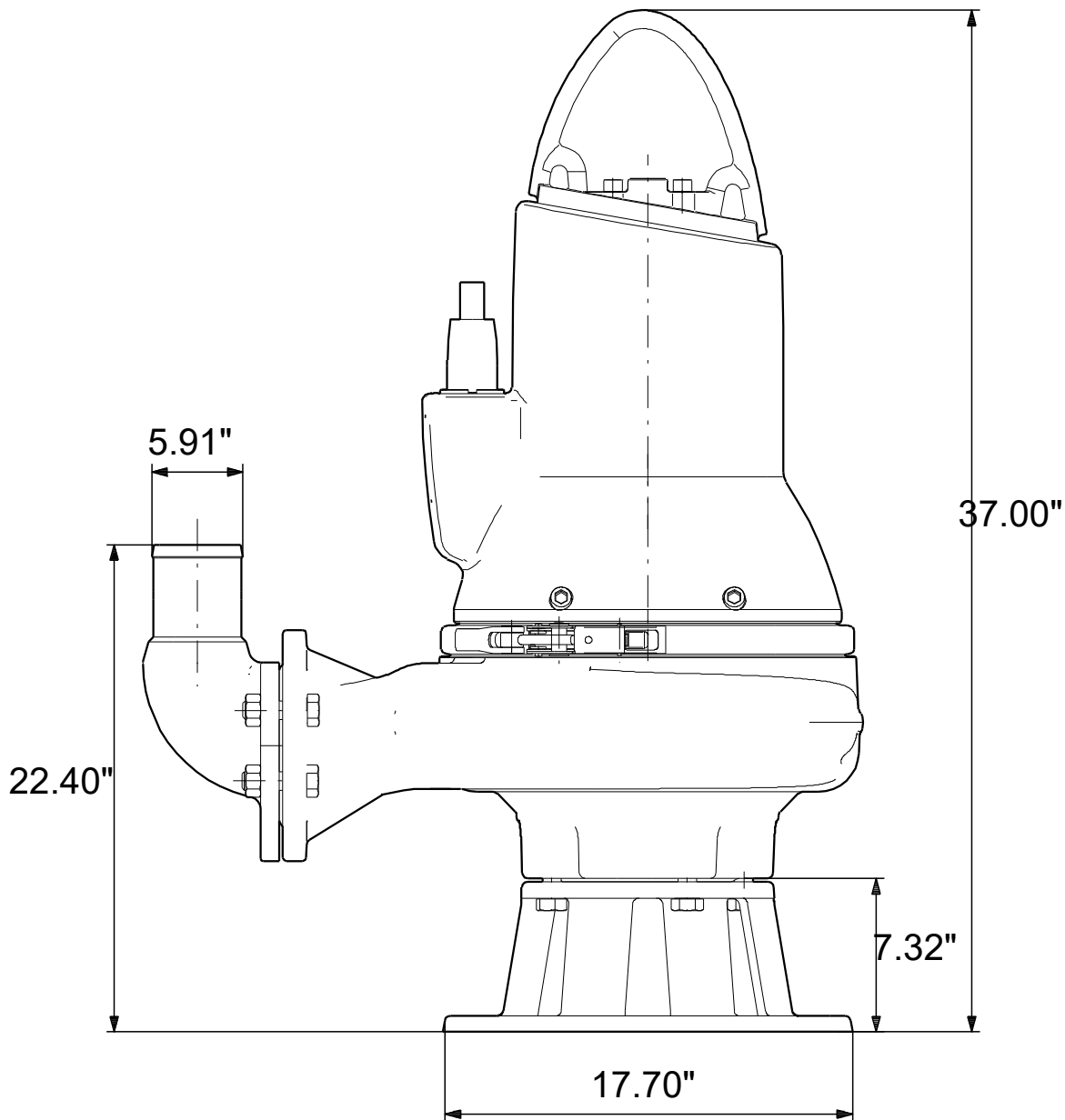
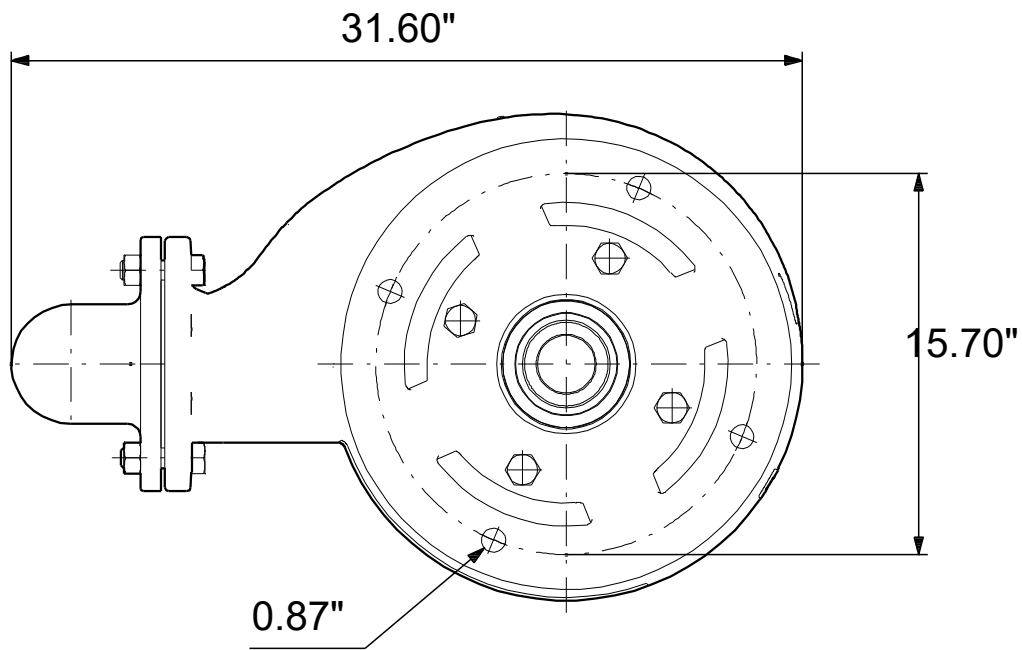
Note! All units are in [in] unless others are stated.  
Disclaimer: This simplified dimensional drawing does not show all details.

99034452 SL1.40.A60 .55.EX.4.60J.C 60 Hz



Note! All units are in [in] unless others are stated  
 Disclaimer: This simplified dimensional drawing does not show all details.

**99034452 SL1.40.A60 .55.EX.4.60J.C 60 Hz**



Note! All units are in [in] unless others are stated.  
Disclaimer: This simplified dimensional drawing does not show all details.