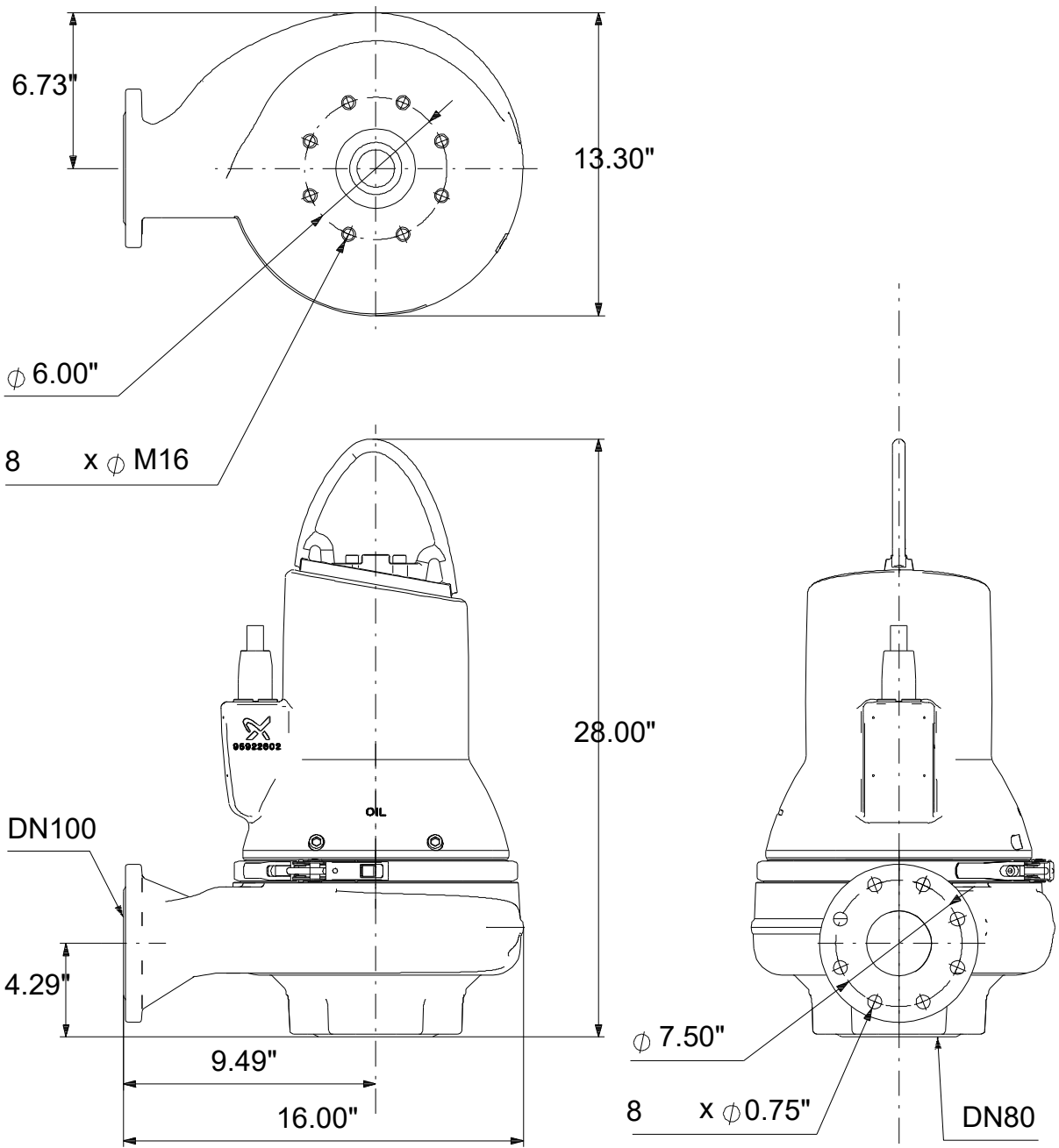
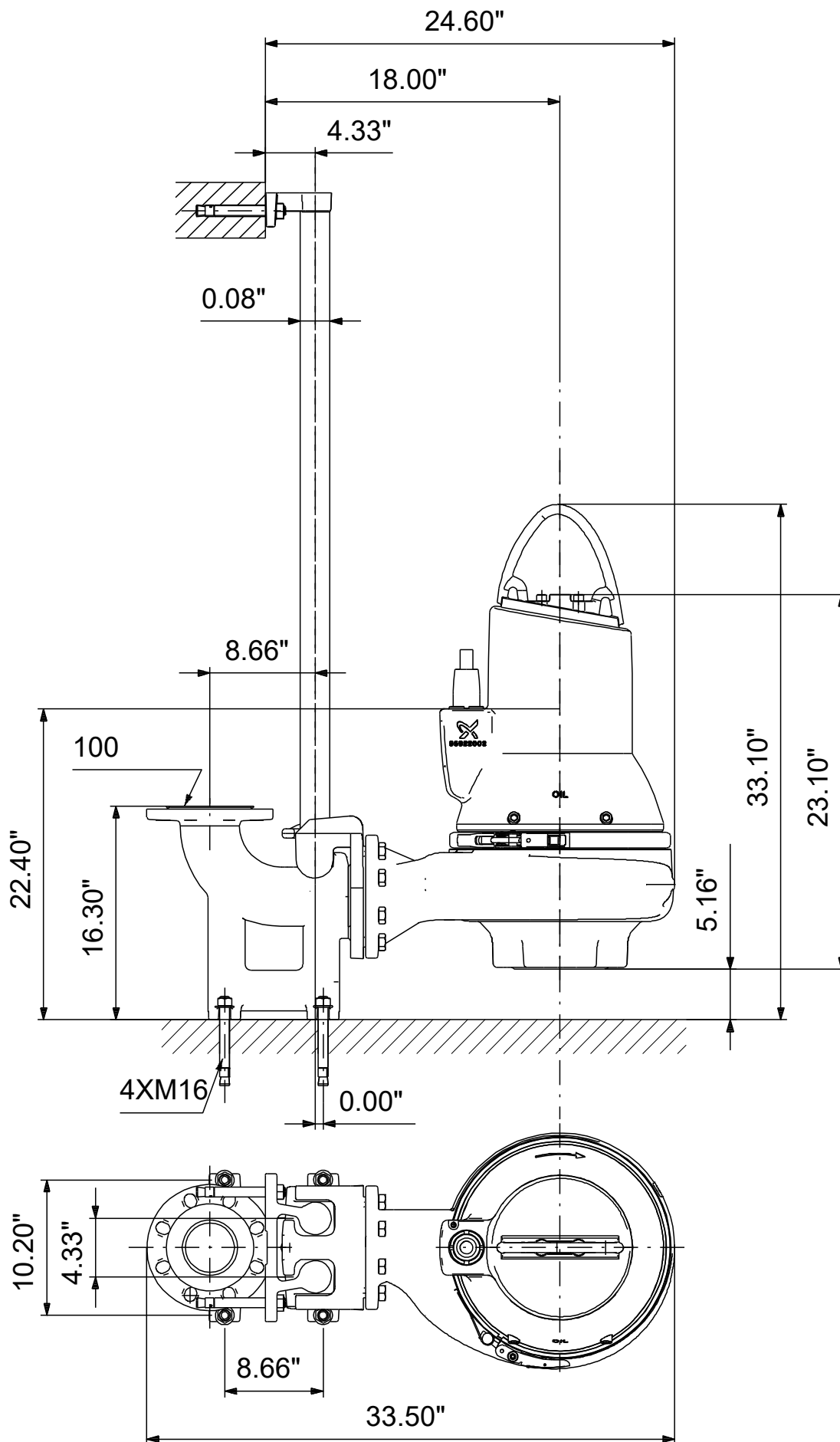


# 99030276 SLV.30.A40 .15.EX.4.61R.C 60 Hz



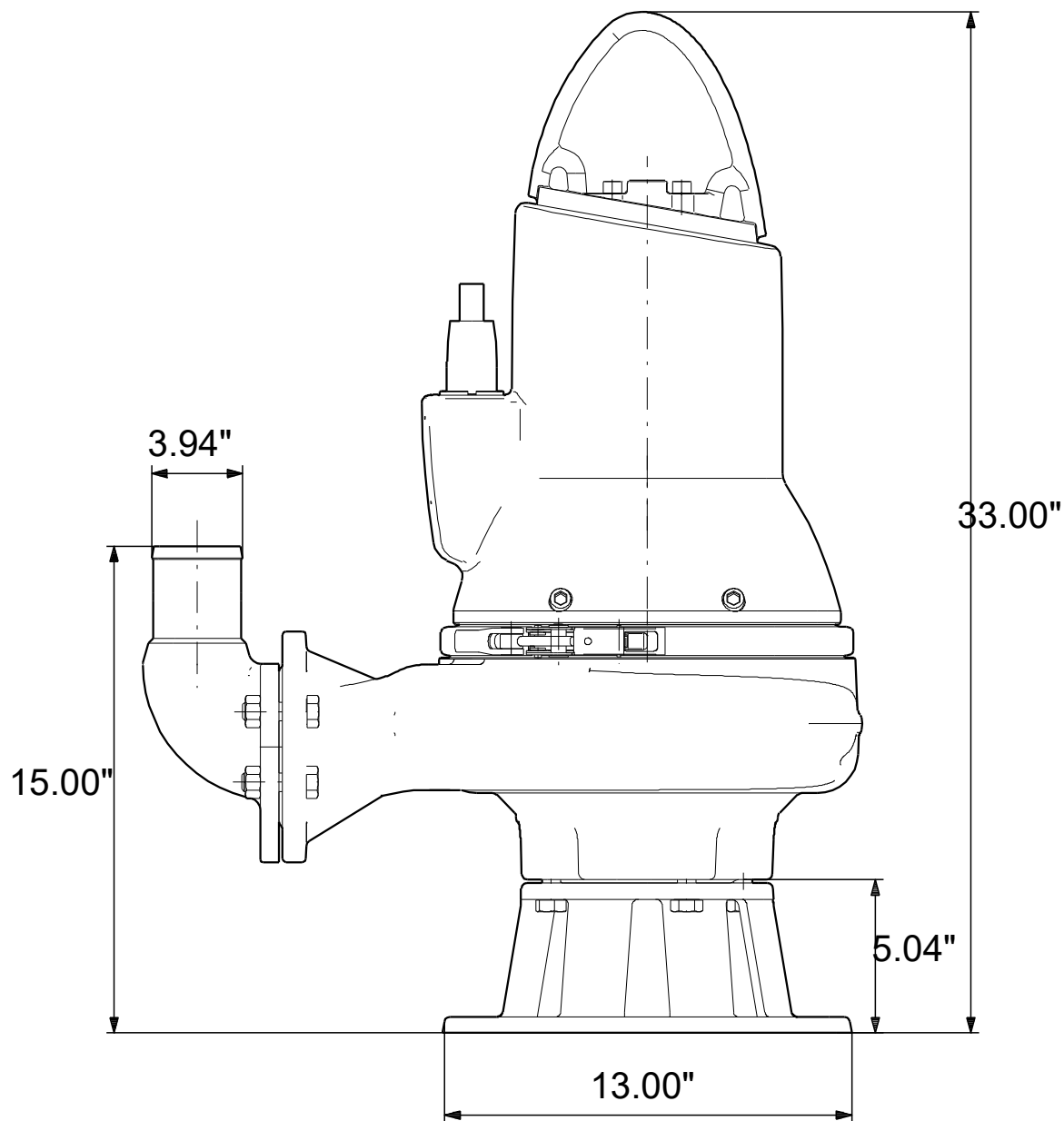
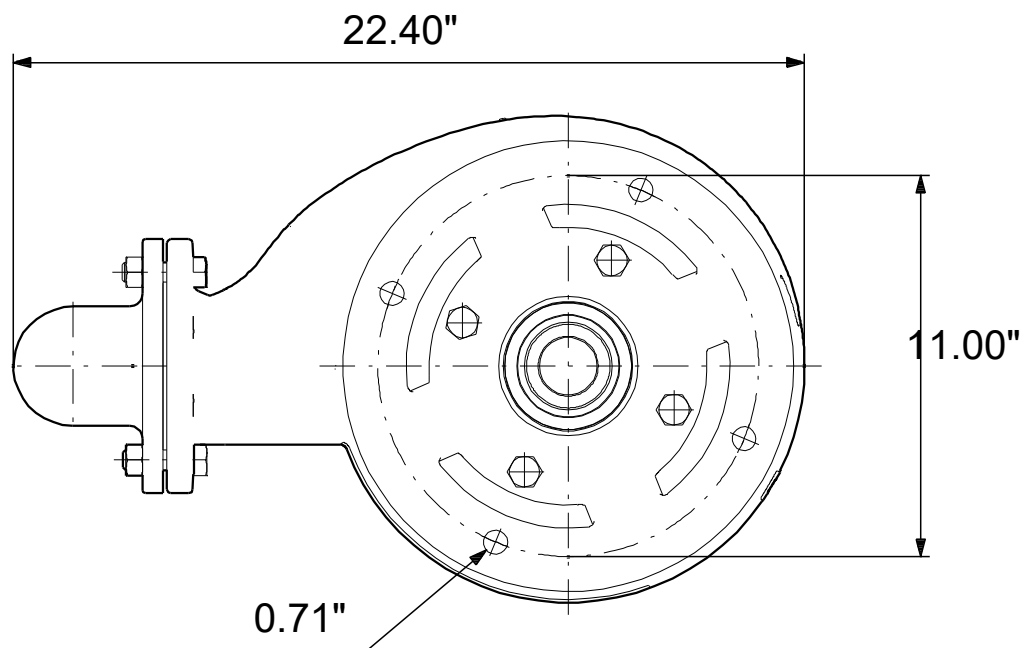
Note! All units are in [in] unless others are stated.  
Disclaimer: This simplified dimensional drawing does not show all details.

99030276 SLV.30.A40 .15.EX.4.61R.C 60 Hz



Note! All units are in [in] unless others are stated  
 Disclaimer: This simplified dimensional drawing does not show all details.

99030276 SLV.30.A40 .15.EX.4.61R.C 60 Hz



Note! All units are in [in] unless others are stated.  
Disclaimer: This simplified dimensional drawing does not show all details.