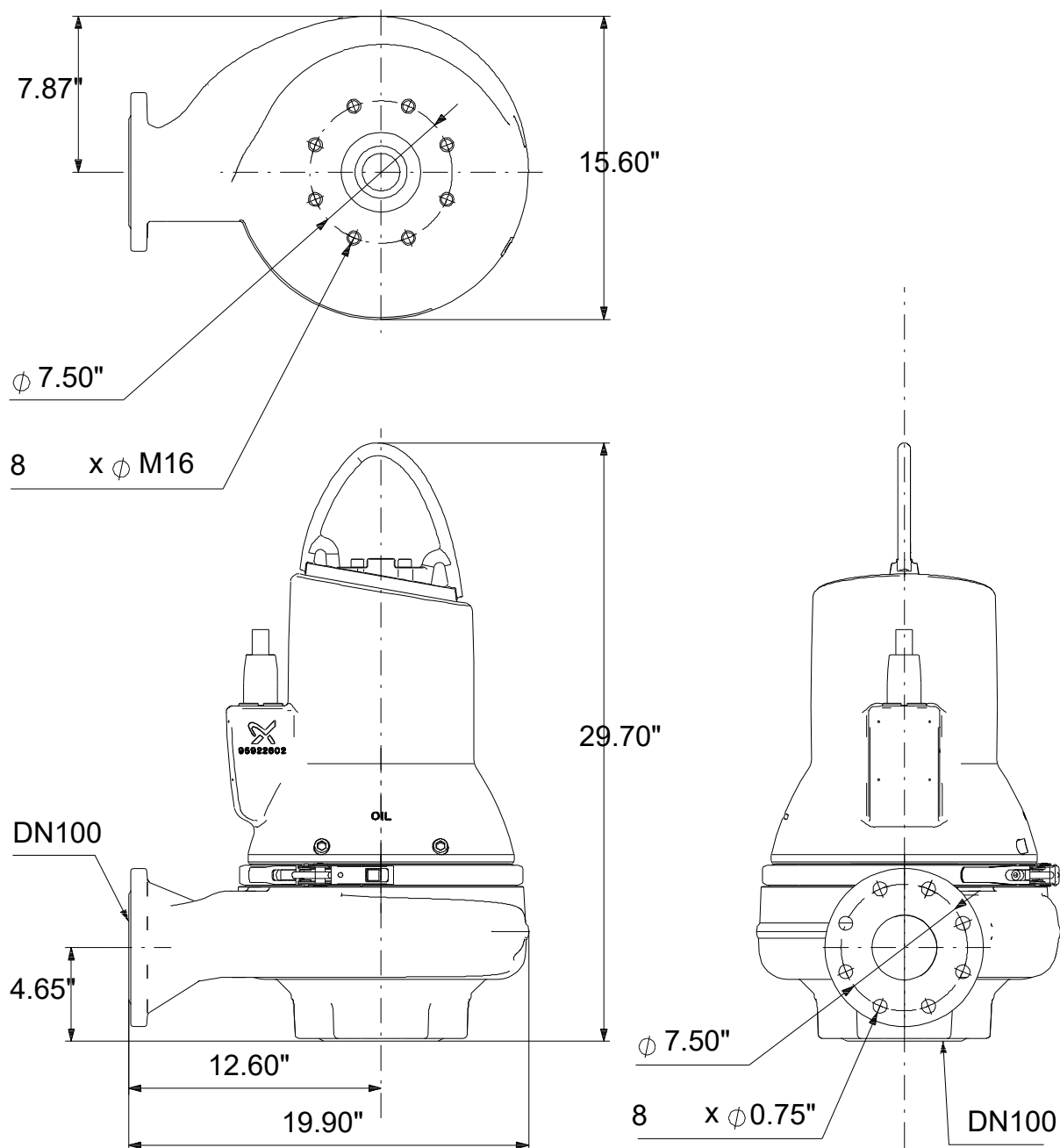
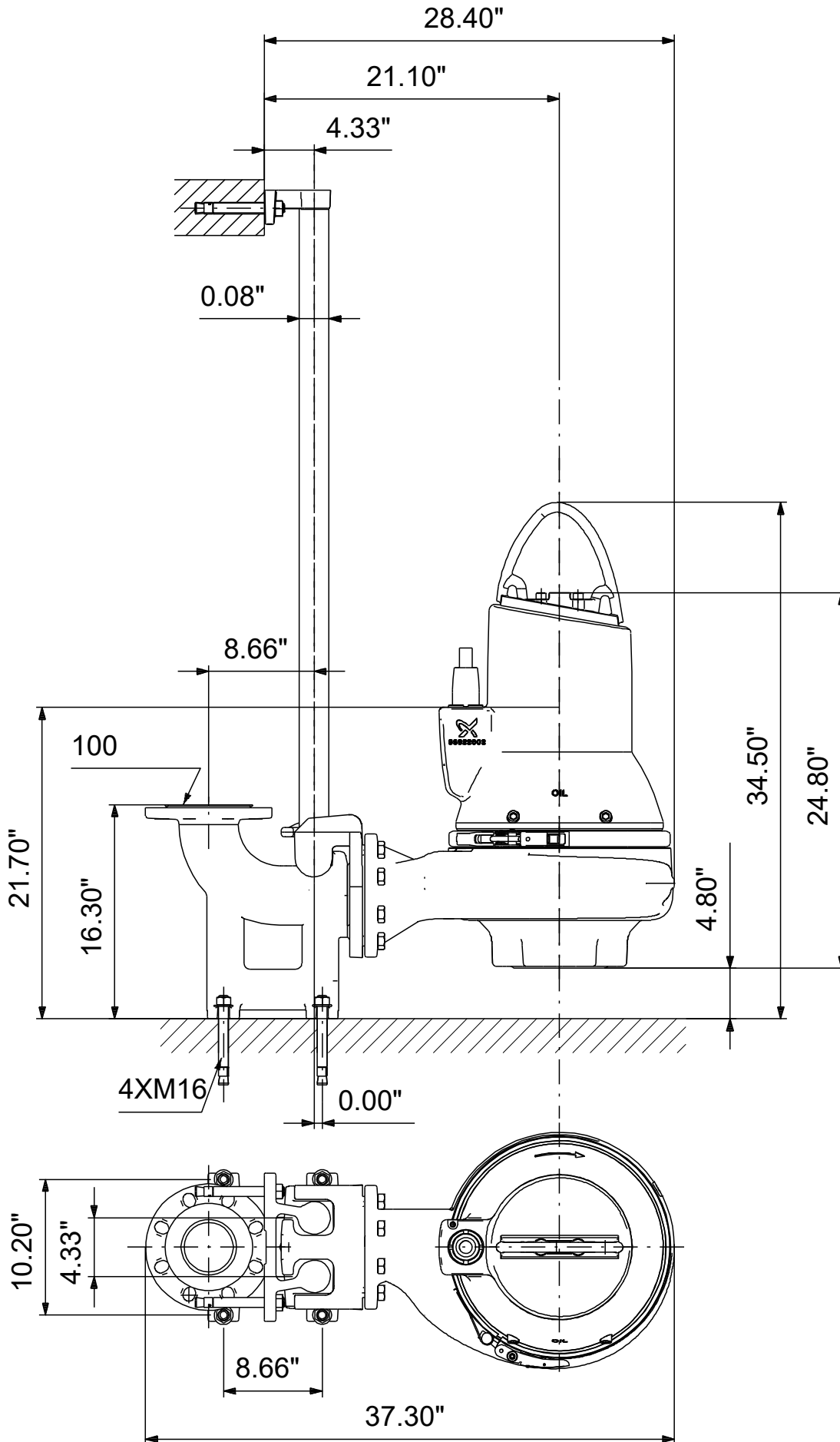


# 99030145 SL1.30.A40 .75.EX.4.61R.C 60 Hz



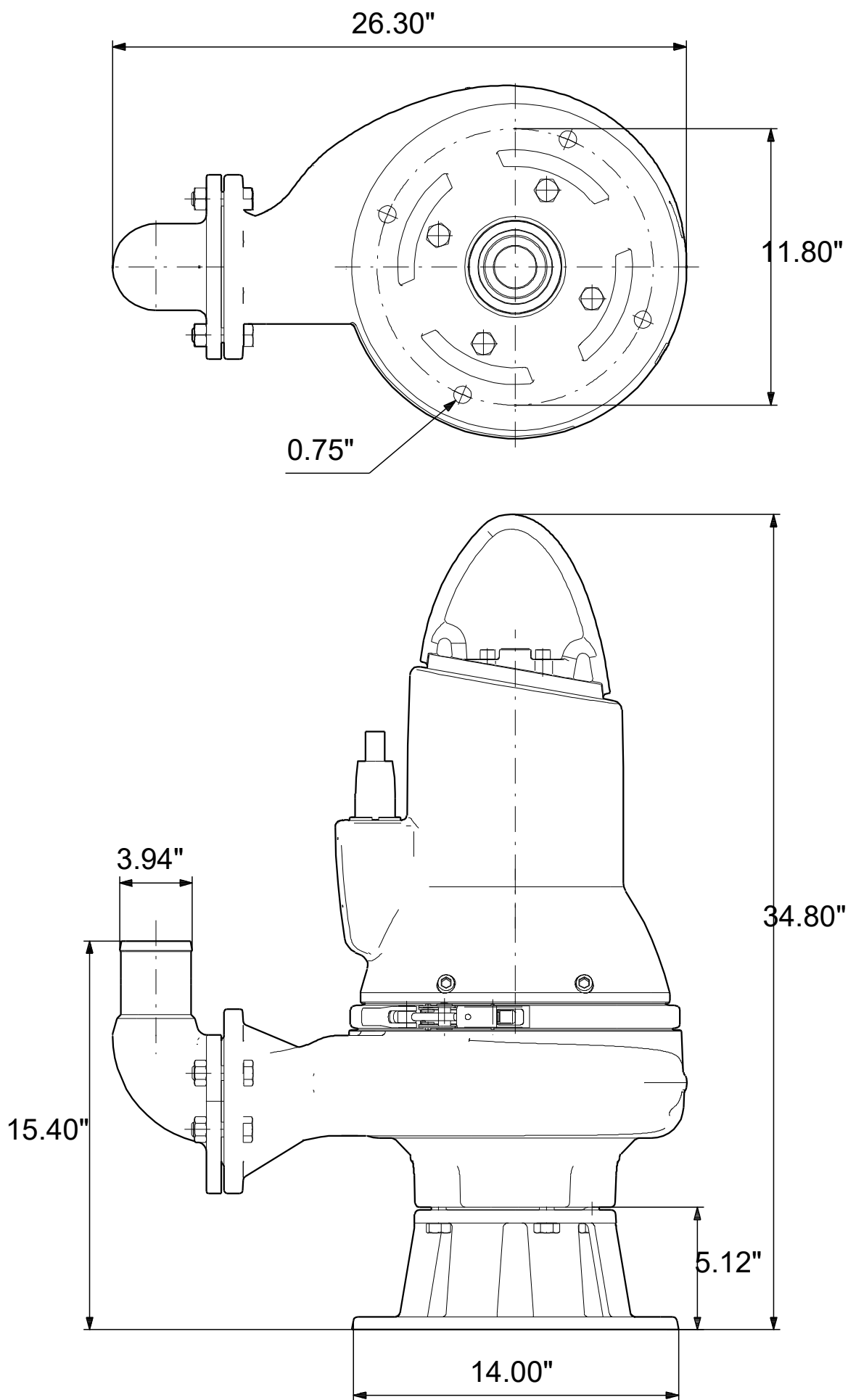
Note! All units are in [in] unless others are stated.  
Disclaimer: This simplified dimensional drawing does not show all details.

# 99030145 SL1.30.A40 .75.EX.4.61R.C 60 Hz



Note! All units are in [in] unless others are stated  
Disclaimer: This simplified dimensional drawing does not show all details.

# 99030145 SL1.30.A40 .75.EX.4.61R.C 60 Hz



Note! All units are in [in] unless others are stated.  
Disclaimer: This simplified dimensional drawing does not show all details.