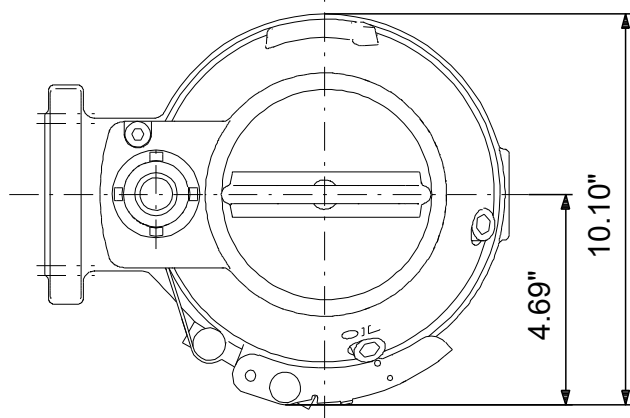
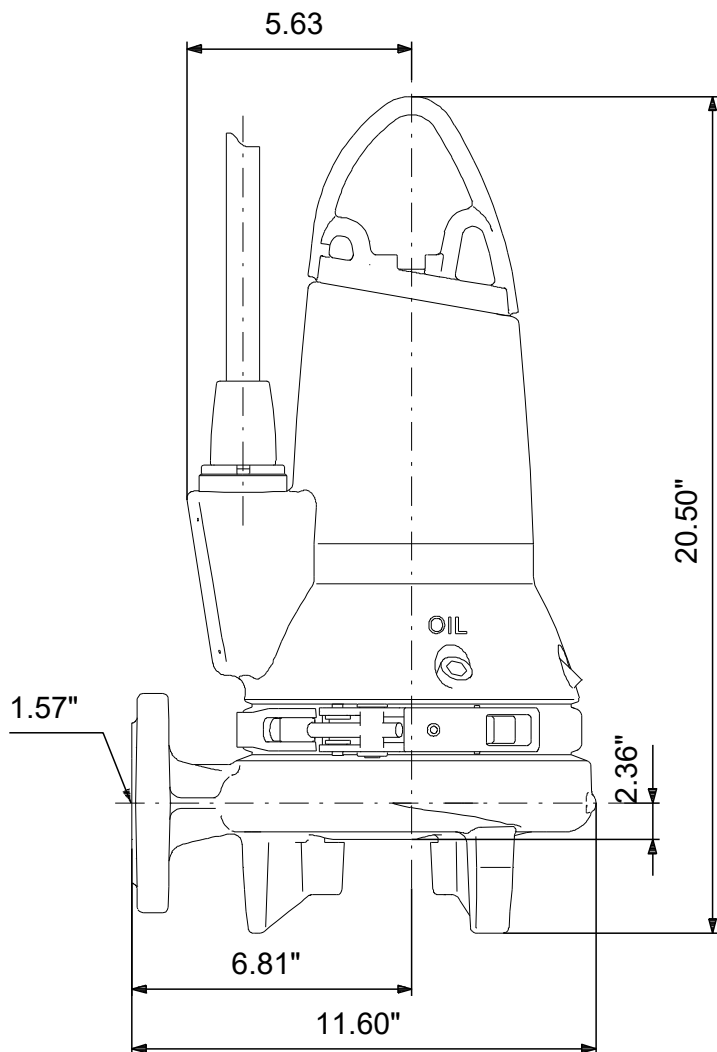
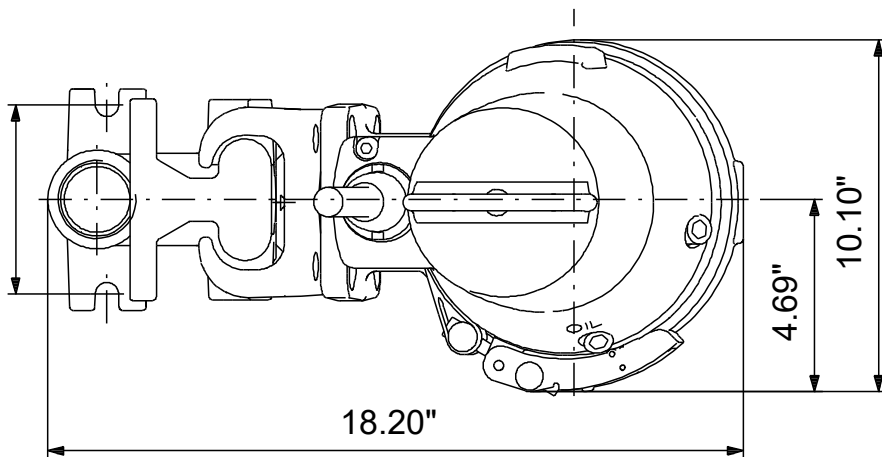
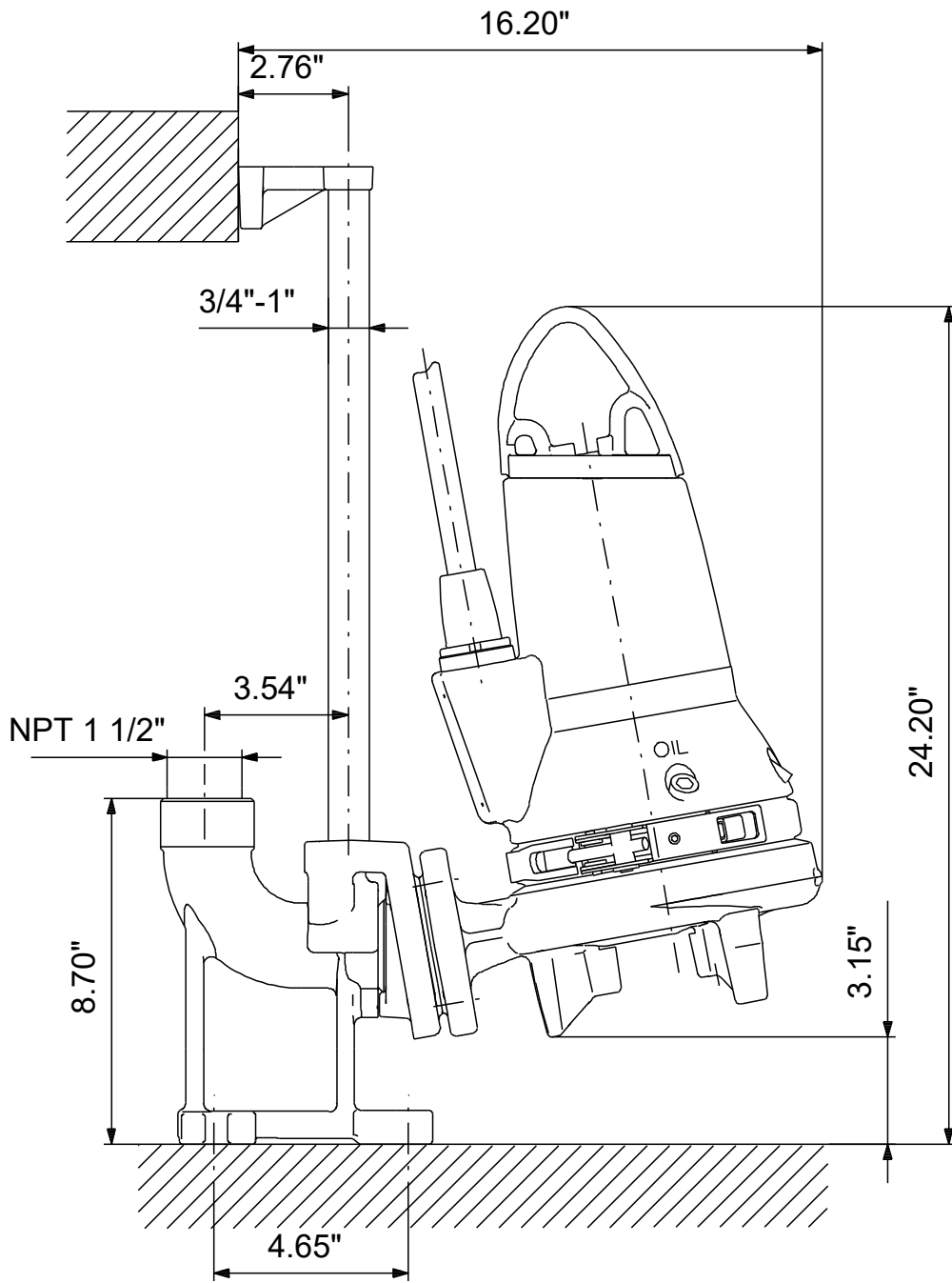


# 98280873 SEG.A15.30.EX.2.60H 60 Hz



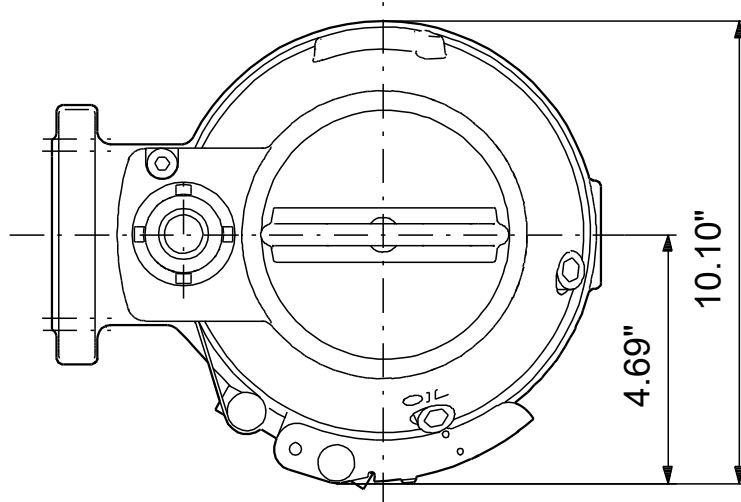
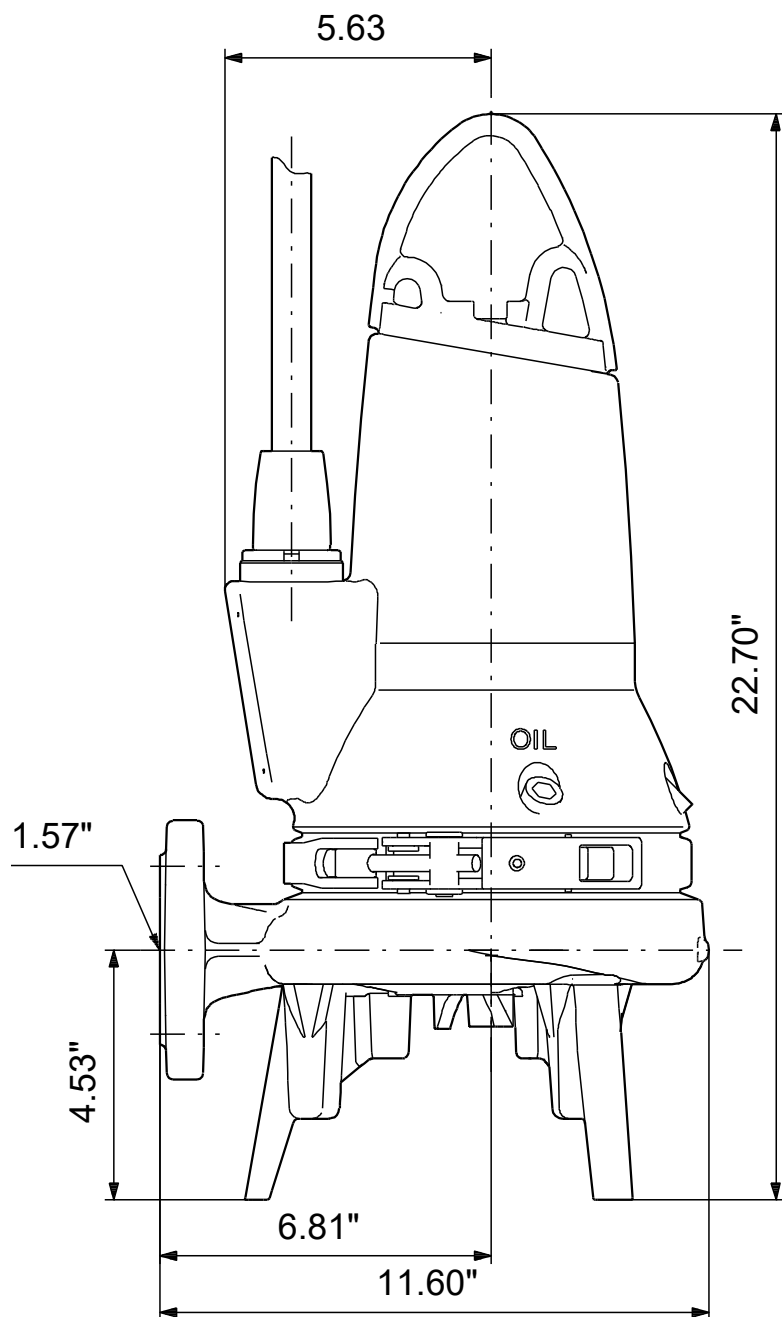
Note! All units are in [in] unless others are stated  
Disclaimer: This simplified dimensional drawing does not show all details.

# 98280873 SEG.A15.30.EX.2.60H 60 Hz



Note! All units are in [in] unless others are stated.  
Disclaimer: This simplified dimensional drawing does not show all details.

# 98280873 SEG.A15.30.EX.2.60H 60 Hz



Note! All units are in [in] unless others are stated.  
Disclaimer: This simplified dimensional drawing does not show all details.