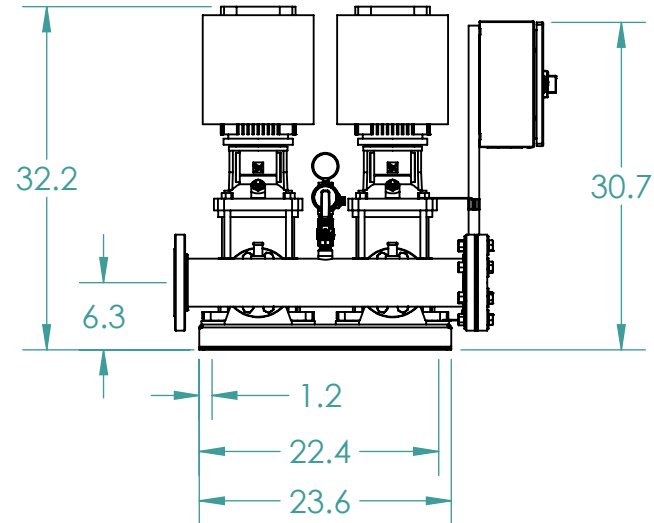
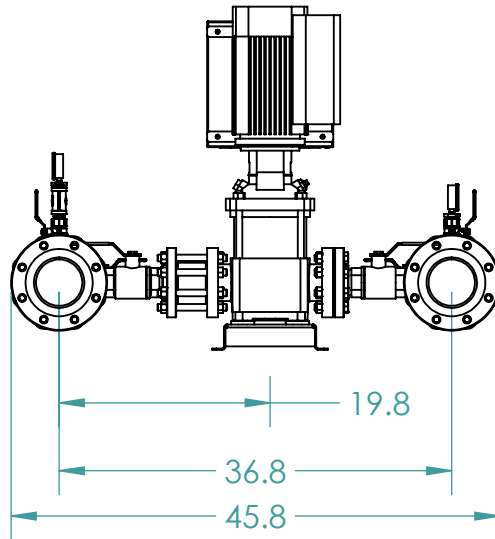
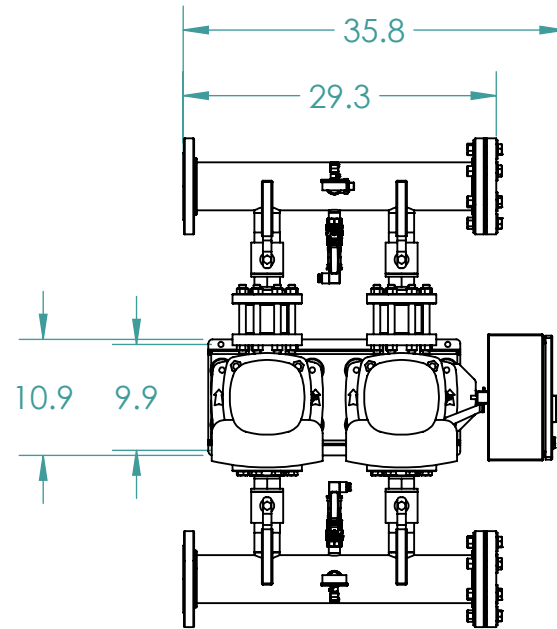
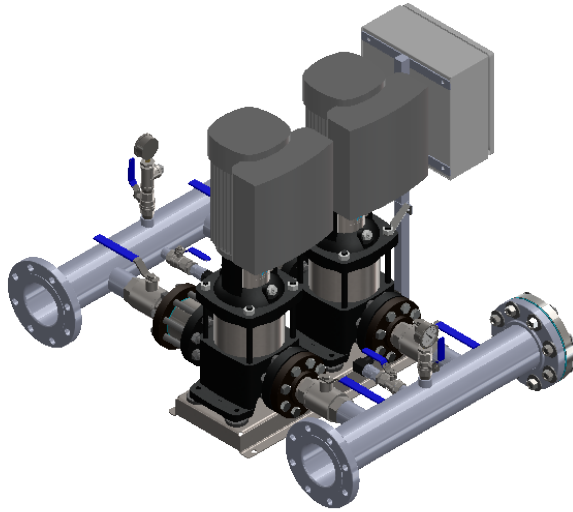


1. Manifolds 4" ANSI Class 150 AISI 316SS Schedule 10s ASTM A312 or ϕ 114.3mm x2mm
2. Base/Frame AISI 304SS
3. Full port ball valve ASTM
4. UL Type 3R Fuse Box



GRUNDFOS 
 FRESNO, CALIFORNIA 93727 USA

Note:
 All dimensions are $\pm 0.5"$
 Not for Construction
 All dimensions subject to
 changewithout notice.

BoosterpaQ Model: HYDRO MULTI-E 2CRE15-1		Power: 1x208-230 60HZ 2x2HP	
Job:		Scale: 1:18	
Dwg No: 99334065	Rev: 0	Date: 5/24/2018	Drawer 71999
		Page: 1 of 1	