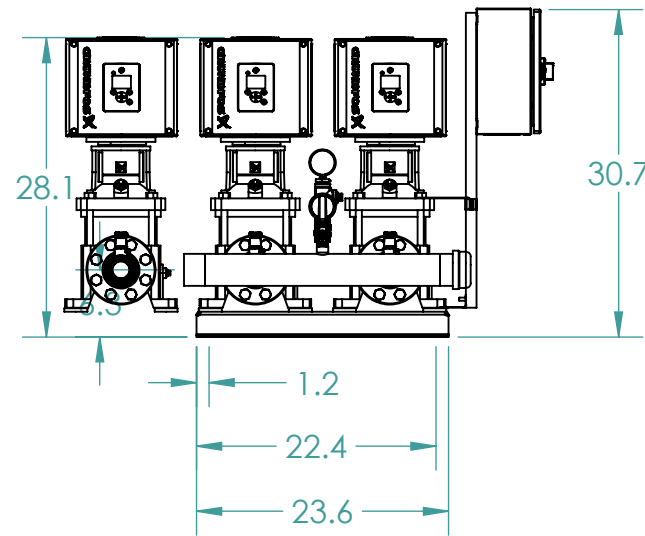
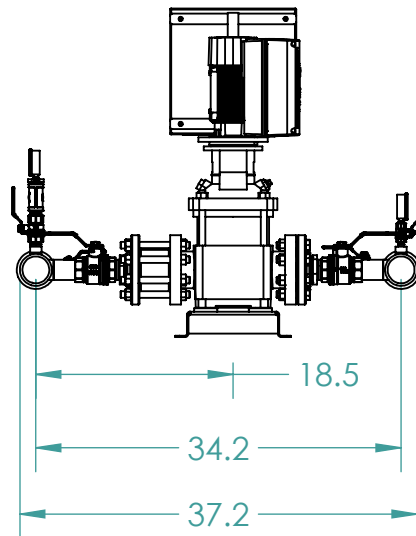
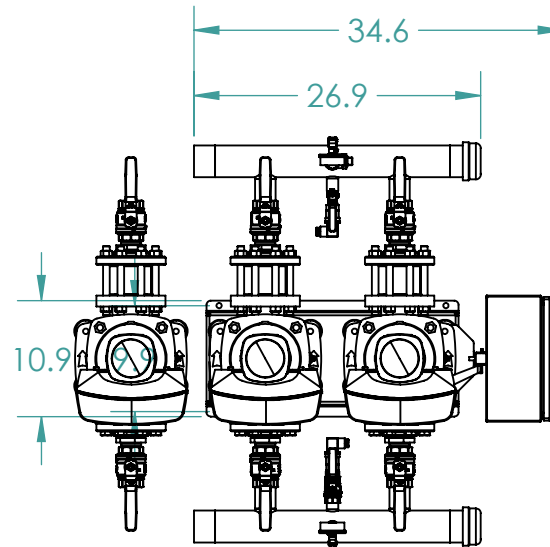
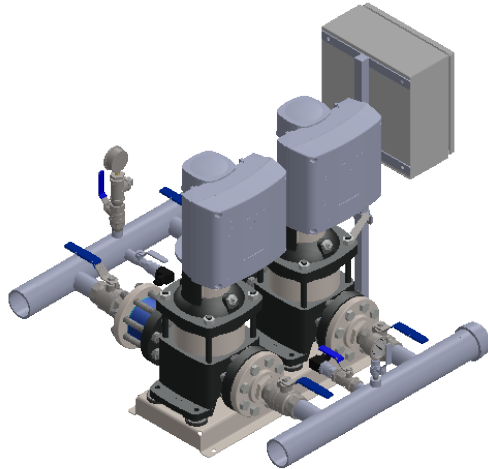


1. Manifolds 2.5" NPT Class 150 AISI 316SS Schedule 10s ASTM A312 or  $\varnothing 76.1\text{mm} \times 2\text{mm}$
2. Base/Frame AISI 304SS
3. Full port ball valve ASTM
4. UL Type 3R Fuse Box



**GRUNDFOS**   
 FRESNO, CALIFORNIA 93727 USA

Note:  
 All dimensions are  $\pm 0.5"$   
 Not for Construction  
 All dimensions subject to  
 changewithout notice.

BoosterpaQ Model: HYDRO MULTI-E 2CRE10-2

Power: 3x460 60HZ 2x1.5HP

Job:

Scale: 1:18

Dwg No: 99334019

Rev: 0

Date: 5/23/2018

Drawer 71999

Page: 1 of 1