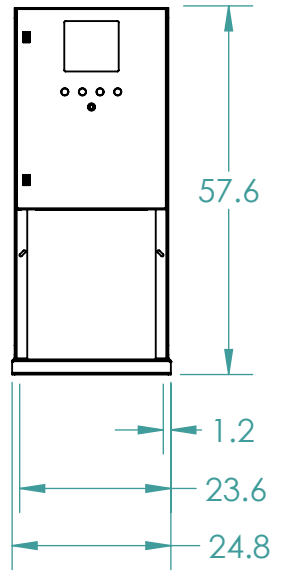
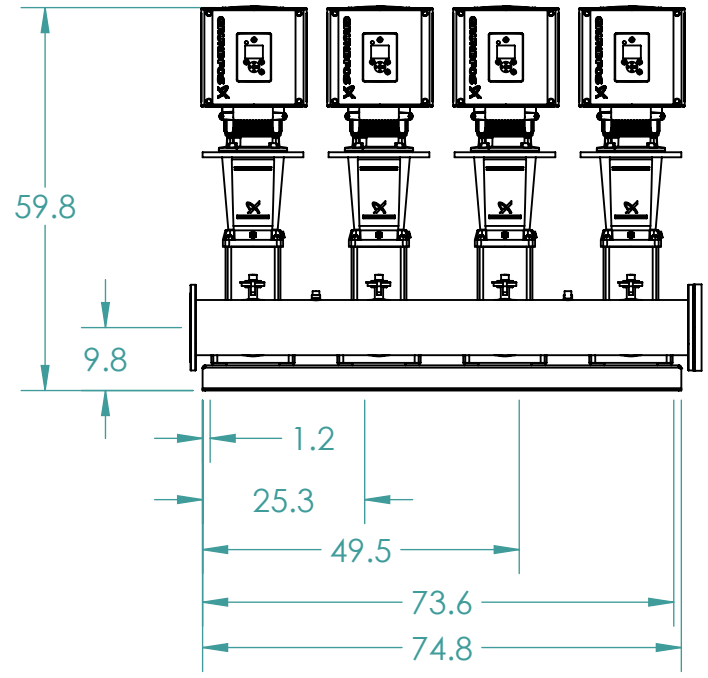
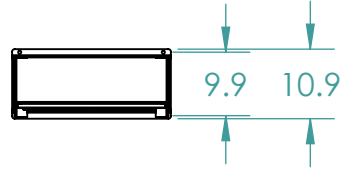
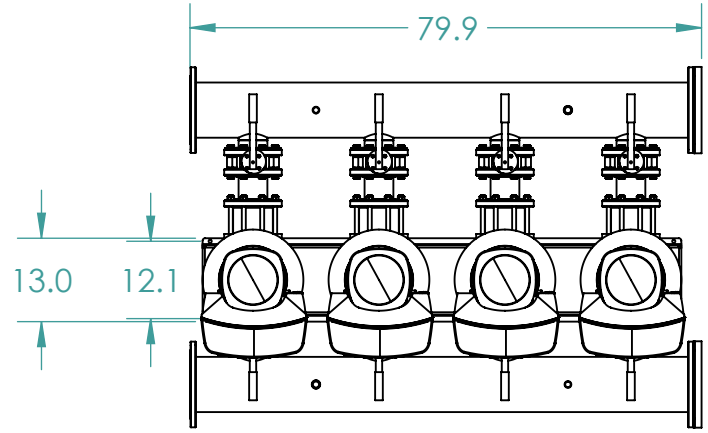
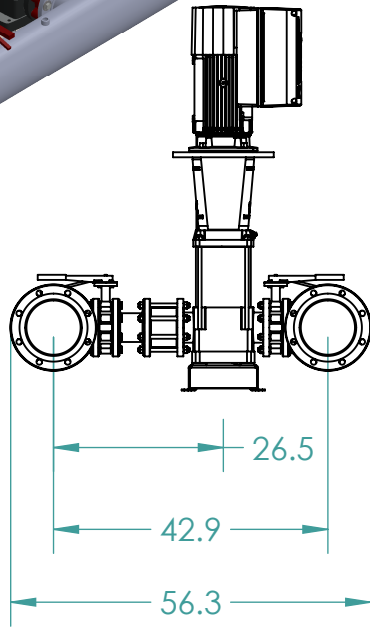
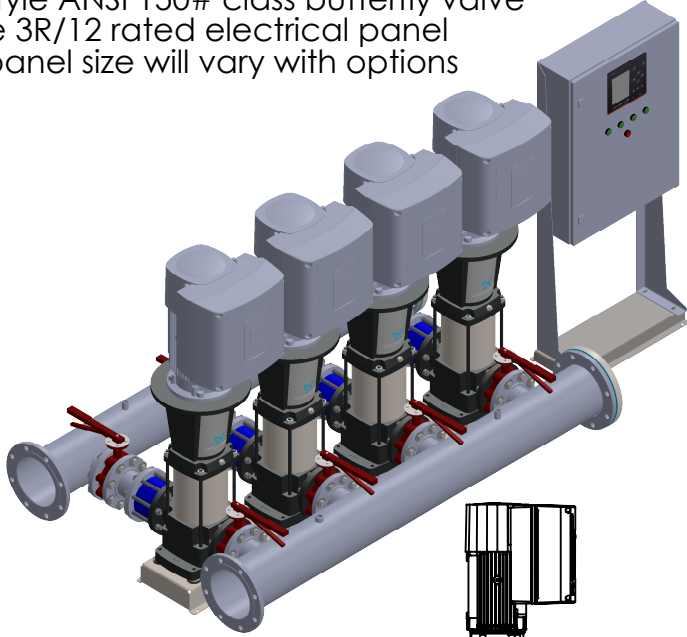


Manifolds 8" ANSI Class 150 AISI 316SS Schedule 10s ASTM A312 or  $\varnothing 219.1\text{mm} \times 2\text{mm}$   
 Base/Frame AISI 304SS  
 Standard system layout : panel right facing suction  
 4" lug style ANSI 150# class butterfly valve  
 UL Type 3R/12 rated electrical panel  
 Note: panel size will vary with options



Note:  
 All dimensions are  $\pm 0.5"$   
 Not for Construction  
 All dimensions subject to  
 changewithout notice.

BoosterpaQ Model: HYDRO MPC E 4CRE64-3-2  
 Power: 3x460 60HZ 4x30HP  
 Job:

Dwg No:	Rev: 0	Date: 3/23/2020	Drawer 58847	Scale: 1:30
				Page: 1 of 1