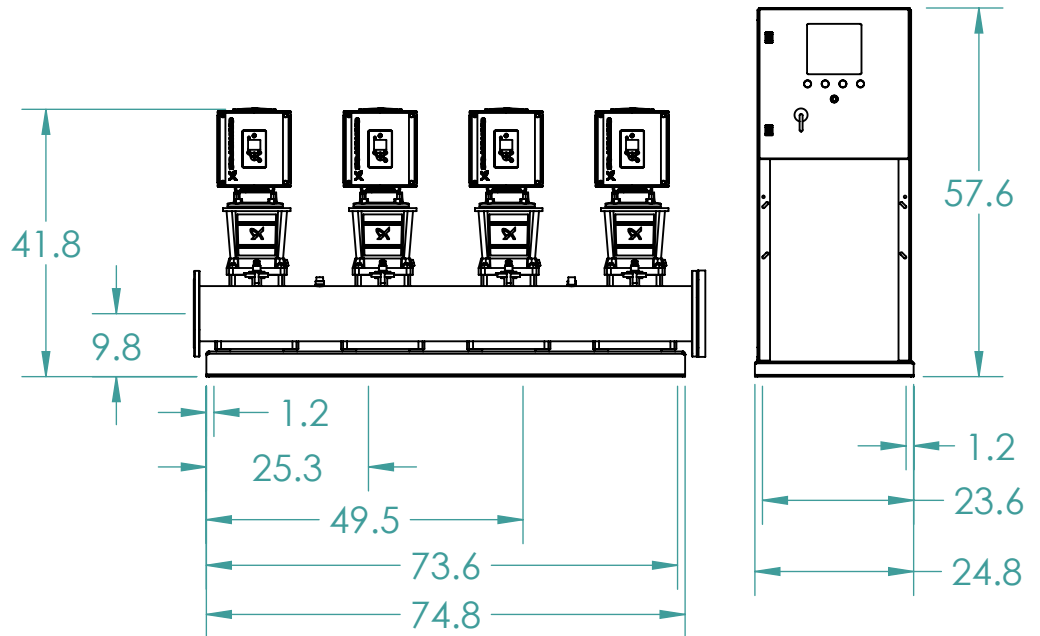
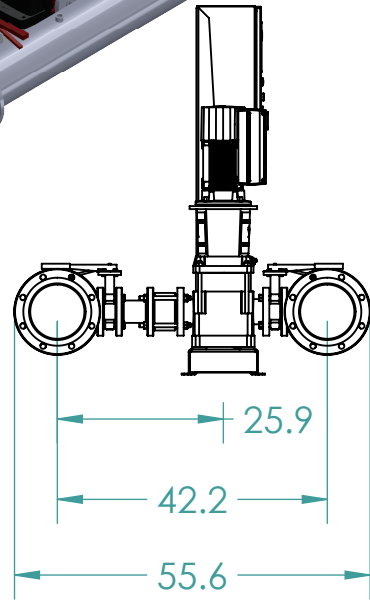
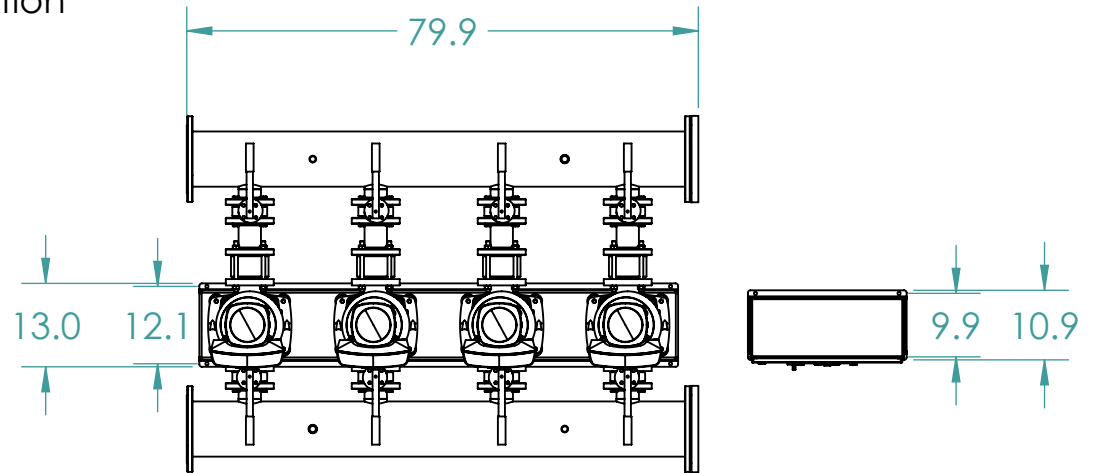
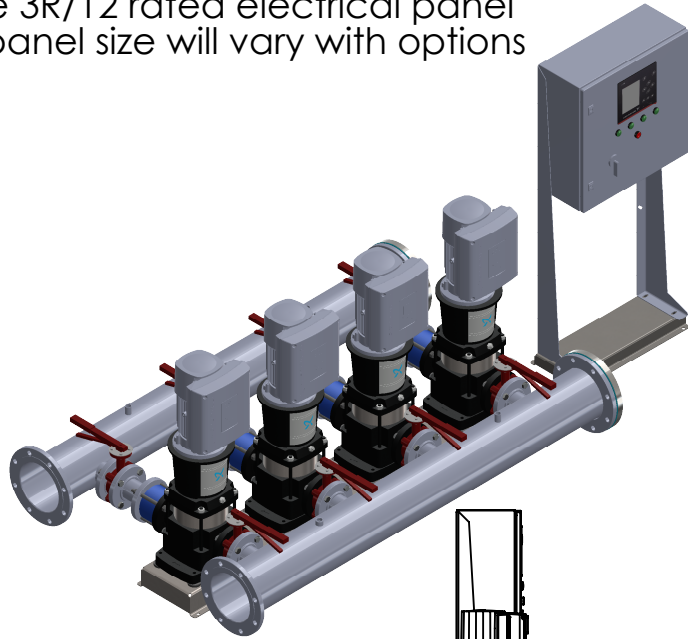


Manifolds 8" ANSI Class 150 AISI 316SS Schedule 10s ASTM A312 or ϕ 219.1mm x2mm
 Base/Frame AISI 304SS
 Standard system layout : panel right facing suction
 3" lug style ANSI 150# class butterfly valve
 UL Type 3R/12 rated electrical panel
 Note: panel size will vary with options



FRESNO, CALIFORNIA 93727 USA

Note:
 All dimensions are $\pm 0.5"$
 Not for Construction
 All dimensions subject to change without notice.

BoosterpaQ Model: HYDRO MPC E 4CRE45-1-1

Power: 3x460 60HZ 4x7.5HP

Job:

Scale: 1:30

Dwg No:

Rev: 0

Date:

3/20/2020

Drawer

58847

Page:

1 of 1