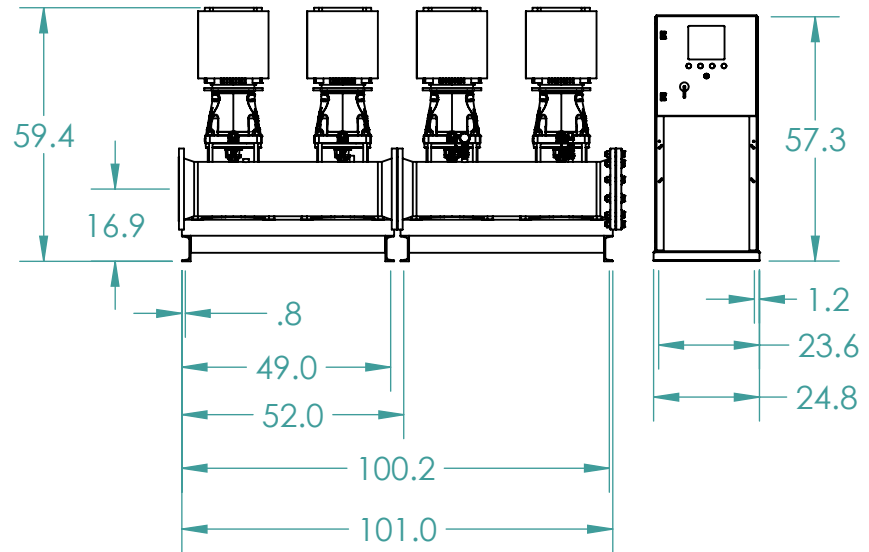
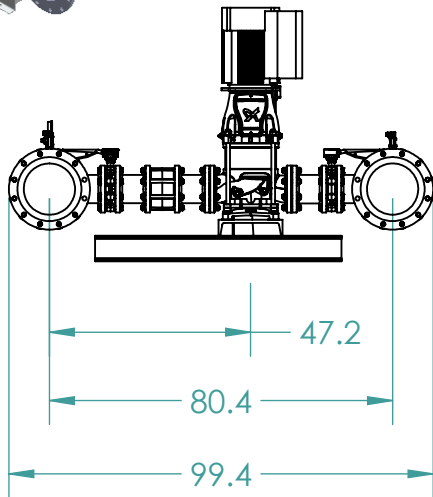
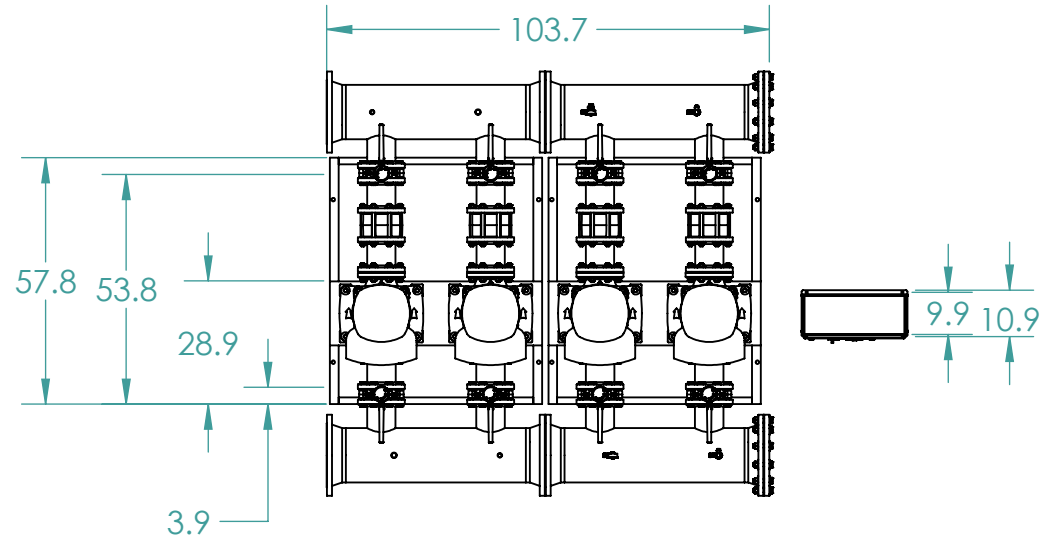
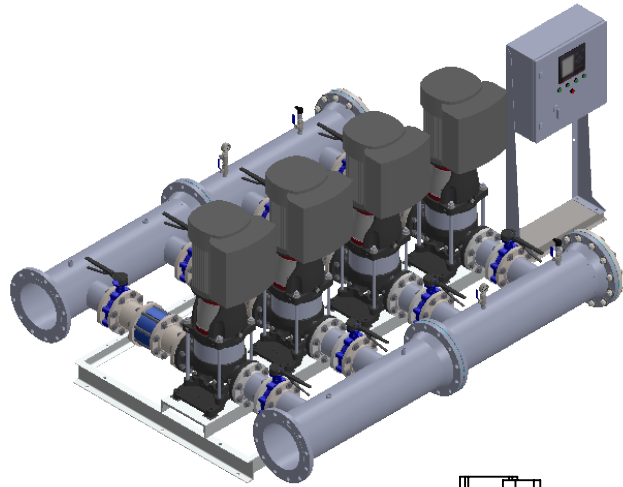


1. Manifolds 12" ANSI Class 150 AISI 316SS Schedule 10s ASTM A312 or ϕ 323.9mm x3mm
 2. Base/Frame ASTM A36 Steel
 3. Standard system layout : panel right facing suction
 4. 6" lug style ANSI 150# class butterfly valve
 5. UL Type 12 rated electrical panel
- Note: panel size will vary with options



GRUNDFOS 
 FRESNO, CALIFORNIA 93727 USA

Note:
 All dimensions are $\pm 0.5"$
 Not for Construction
 All dimensions subject to
 changewithout notice.

BoosterpaQ Model: HYDRO MPC E 4CRE125-1-1

Power: 3x460 60HZ 4x20HP

Job:

Scale: 1:45

Dwg No:

Rev:

Date:

Drawer

Page:

0

12/12/2019

58847

1 of 1