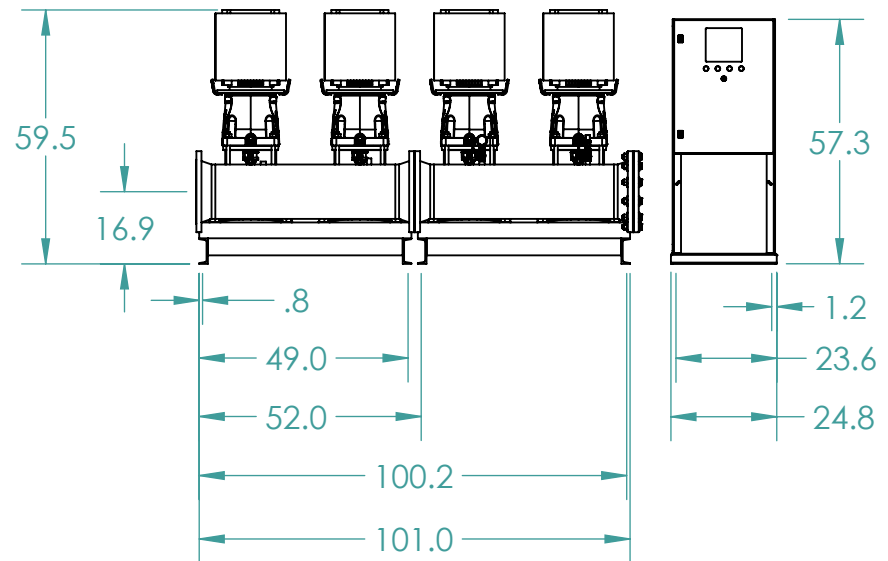
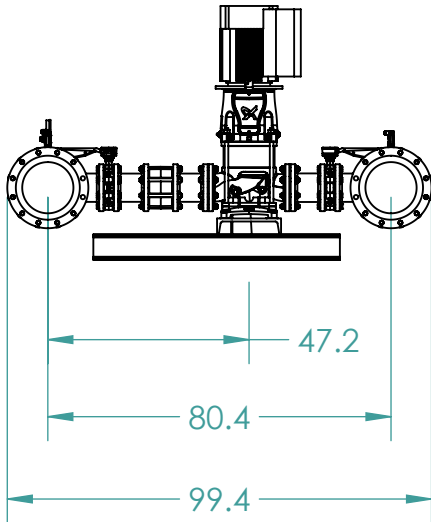
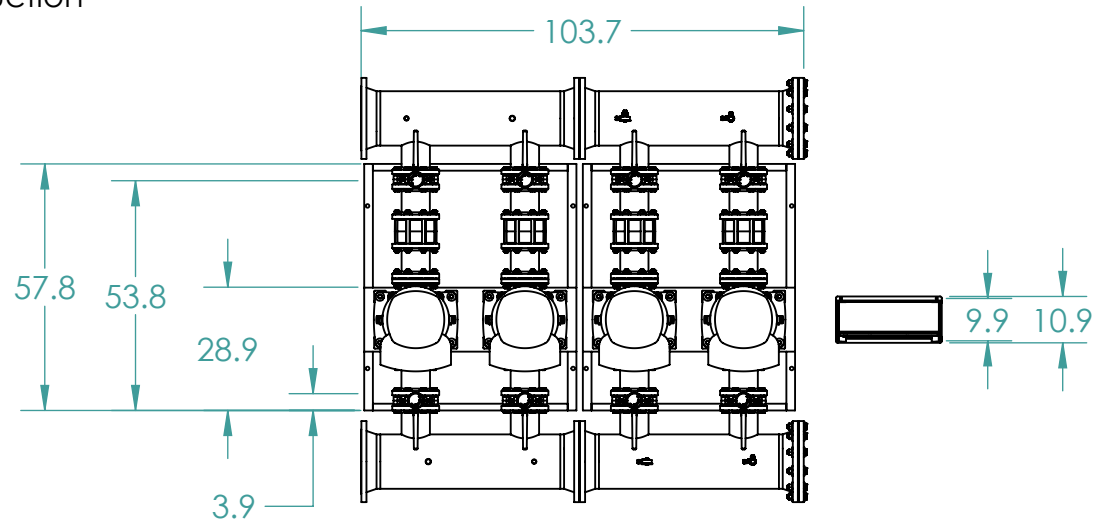
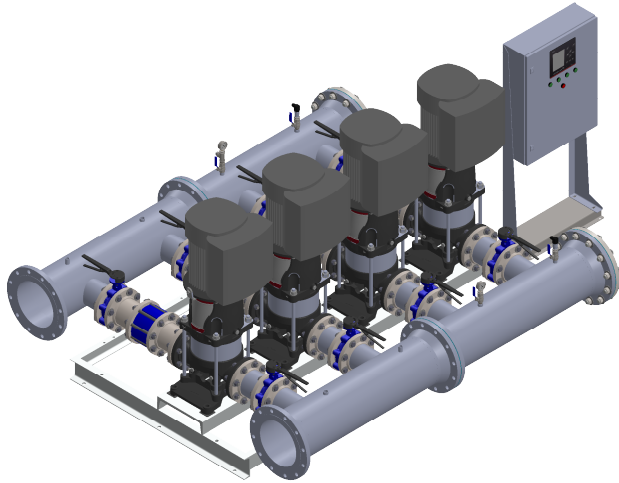


1. Manifolds 12" ANSI Class 150 AISI 316SS Schedule 10s ASTM A312 or  $\varnothing$  323.9mm x3mm
  2. Base/Frame ASTM A36 Steel
  3. Standard system layout : panel right facing suction
  4. 6" lug style ANSI 150# class butterfly valve
  5. UL Type 3R/12 rated electrical panel
- Note: panel size will vary with options



**GRUNDFOS**   
 FRESNO, CALIFORNIA 93727 USA

Note:  
 All dimensions are  $\pm 0.5"$   
 Not for Construction  
 All dimensions subject to  
 changewithout notice.

BoosterpaQ Model: HYDRO MPC E 4CRE125-1

Power: 3x460 60HZ 4x25HP

Job:

Scale: 1:45

Dwg No:

Rev: 0

Date:

12/12/2019

Drawer

58847

Page:

1 of 1