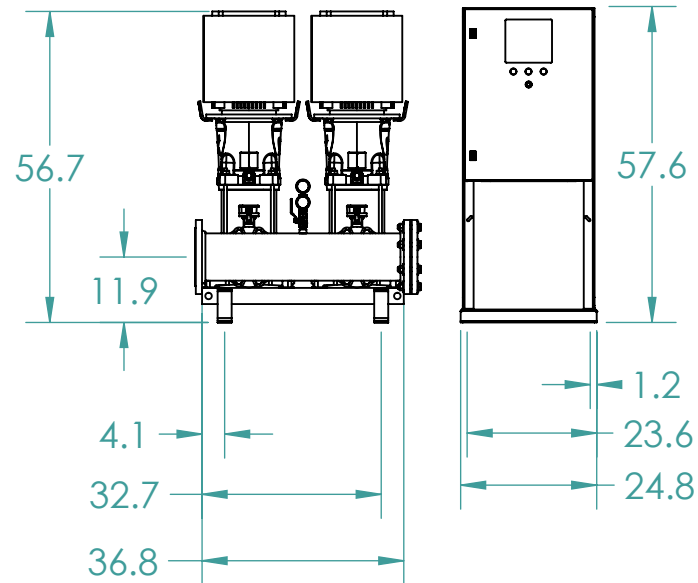
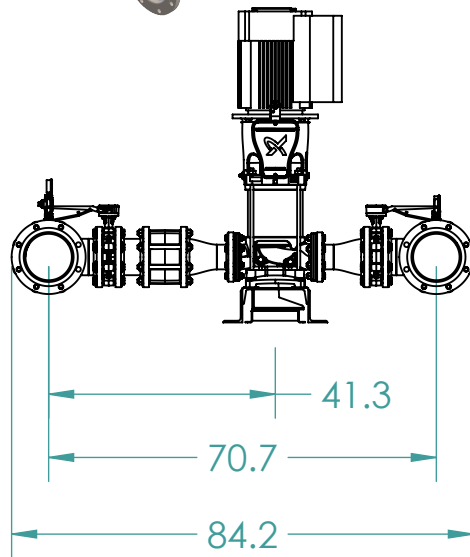
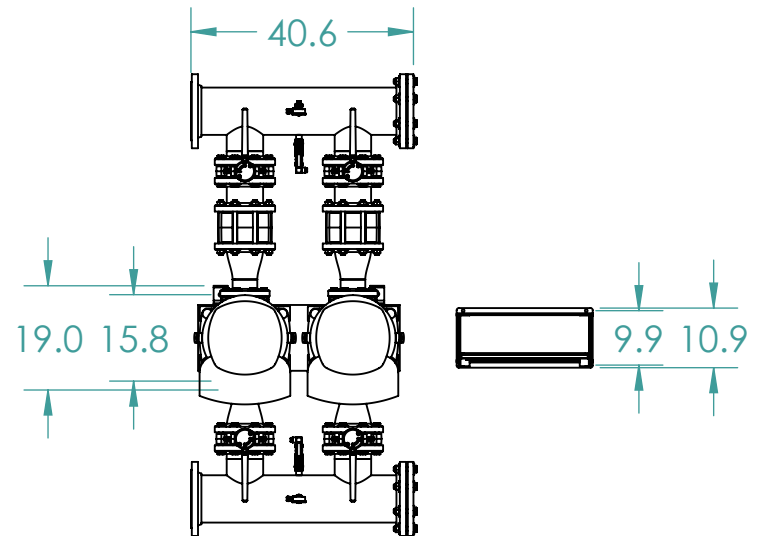
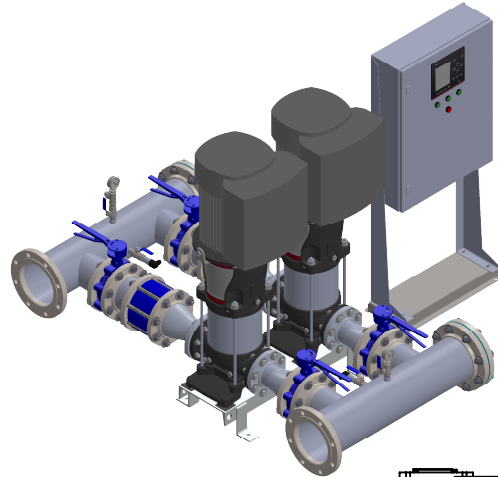


Manifolds 8" ANSI Class 150 AISI 316SS Schedule 10s ASTM A312 or \varnothing 219.1mm x 2mm
 Base/Frame ASTM A36 Steel
 Standard system layout : panel right facing suction
 6" lug style ANSI 150# class butterfly valve
 UL Type 3R/12 rated electrical panel
 Note: panel size will vary with options



Note:
 All dimensions are $\pm 0.5"$
 Not for Construction
 All dimensions subject to
 changewithout notice.

BoosterpaQ Model: HYDRO MPC E 2CRE95-2-2

Power: 3x460 60HZ 2x25HP

Job:

Scale: 1:35

Dwg No:

Rev:

Date:

Drawer

Page:

0 12/12/2019 58847

1 of 1