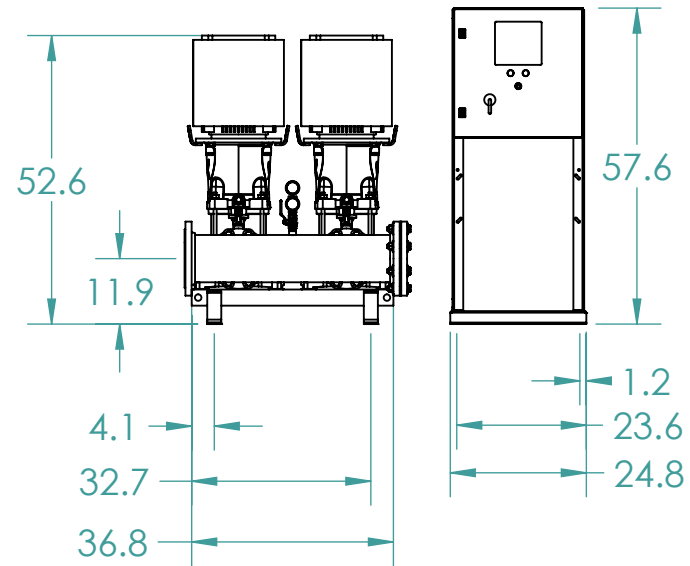
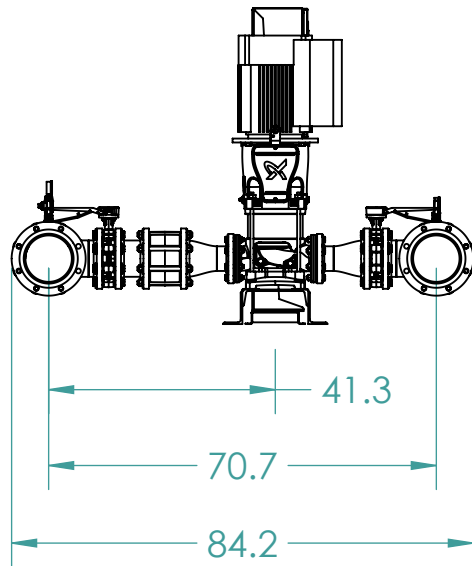
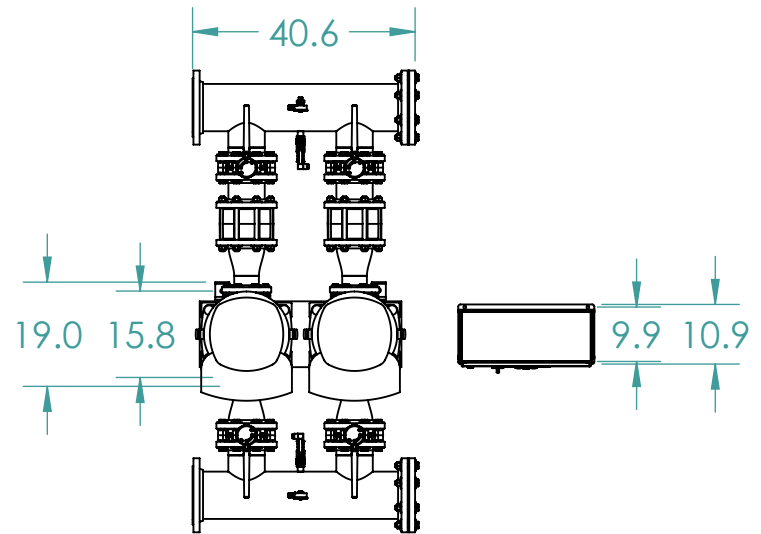
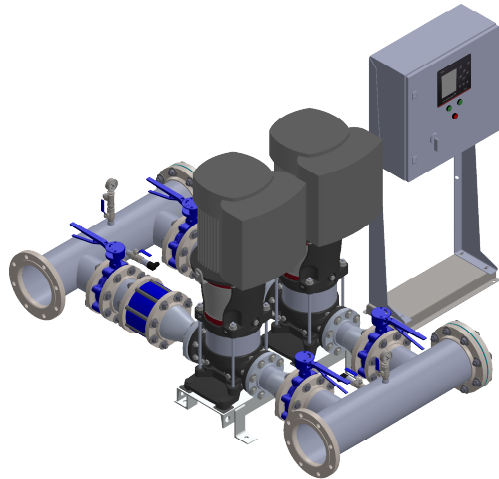


Manifolds 8" ANSI Class 150 AISI 316SS Schedule 10s ASTM A312 or  $\varnothing$  219.1mm x 2mm  
 Base/Frame ASTM A36 Steel  
 Standard system layout : panel right facing suction  
 6" lug style ANSI 150# class butterfly valve  
 UL Type 3R/12 rated electrical panel  
 Note: panel size will vary with options



Note:  
 All dimensions are  $\pm 0.5"$   
 Not for Construction  
 All dimensions subject to  
 changewithout notice.

BoosterpaQ Model: HYDRO MPC E 2CRE95-1-1  
 Power: 3x460 60HZ 2x15HP  
 Job:

Dwg No:	Rev:	Date:	Drawer	Page:
	0	12/12/2019	58847	1 of 1

Scale: 1:35