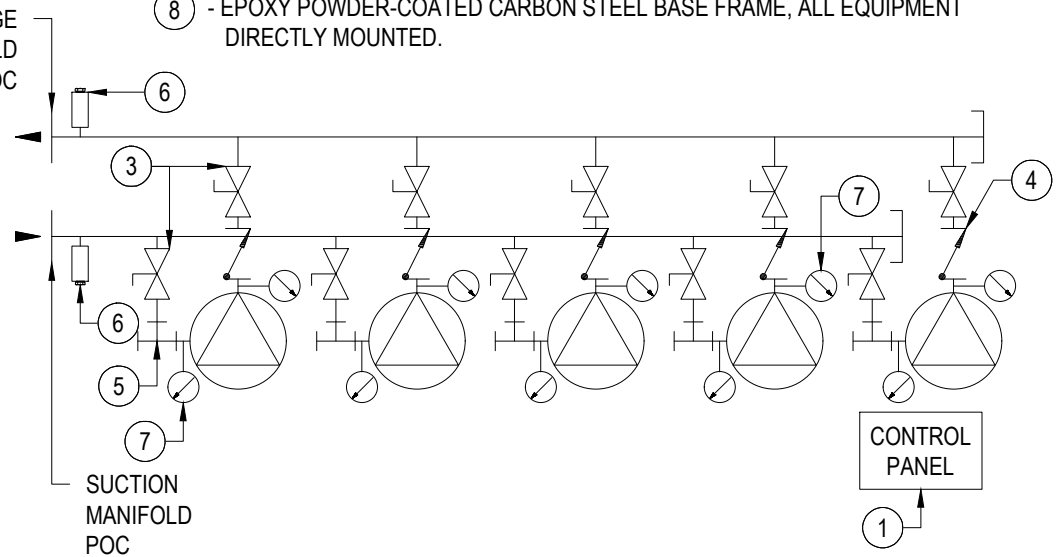
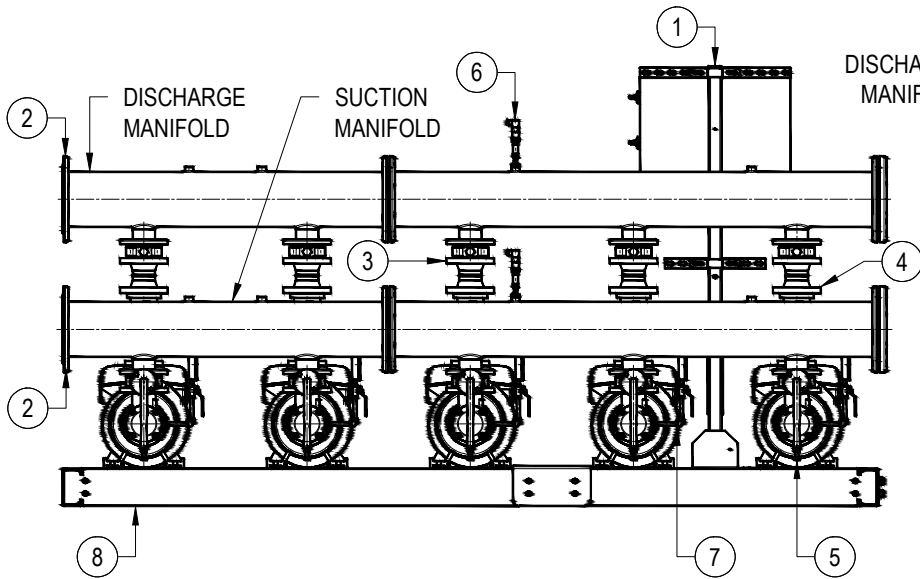
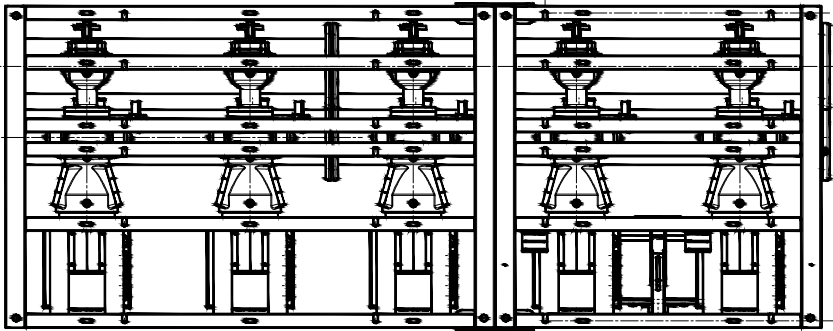


### GENERAL NOTES

- ① - SYSTEM CONTROL PANEL WITH SINGLE POINT POWER CONNECTION.
- ② - ANSI FLANGE CONNECTION TO 316SS MANIFOLDS FOR 8"Ø AND UNDER, 10"Ø AND LARGER USES CARBON STEEL. PROVIDE A MINIMUM OF ONE NOMINAL FLANGE DIAMETER LENGTH FROM FLANGE TO EXPANSION JOINT ON BOTH SUPPLY AND DISCHARGE. SEE PLANS FOR COORDINATED CONFIGURATION.
- ③ - ISOLATION VALVE, TWO PER PUMP.
- ④ - NON-RETURN CHECK VALVE, ONE FOR EACH PUMP.
- ⑤ - GRUNDFOS SUCTION DIFFUSER, ONE FOR EACH PUMP.
- ⑥ - FACTORY INSTALLED PRESSURE TRANSMITTER ON DISCHARGE AND SUCTION MANIFOLD.
- ⑦ - FACTORY INSTALLED PRESSURE GAUGE ON DISCHARGE AND SUCTION OF EACH PUMP.
- ⑧ - EPOXY POWDER-COATED CARBON STEEL BASE FRAME, ALL EQUIPMENT DIRECTLY MOUNTED.



1

## PUMP SYSTEM DETAIL AND SCHEMATIC

SCALE: NTS



**HURLEY ENGINEERING**  
MANUFACTURERS REPRESENTATIVES

9400 S.W. Tualatin-Sherwood Rd. 302 East 26th St.  
Tualatin, OR. 97062 Tacoma, WA 98421  
Ph: 503.224.6330 Ph: 253.272.9389

[HurleyEngineering.com](http://HurleyEngineering.com)

DRAWING TITLE:  
GRUNDFOS DELTA-HCU NBSE PENTAPLEX PUMP  
SYSTEM DETAIL AND SCHEMATIC

DRAWING NUMBER:  
TBD

|                |                            |                      |
|----------------|----------------------------|----------------------|
| DRAWN BY<br>BM | LAST REVISED<br>08.29.2023 | DRAWING SCALE<br>NTS |
|----------------|----------------------------|----------------------|

THE DOCUMENT AND ALL INFORMATION SHOWN IS PROPERTY OF HURLEY ENGINEERING, INC. THIS DOCUMENT IS NOT TO BE REDISTRIBUTED OR COPIED OR USED FOR THE MANUFACTURING OF EQUIPMENT WITHOUT PRIOR WRITTEN CONSENT FROM HURLEY ENGINEERING, INC.

QR CODE