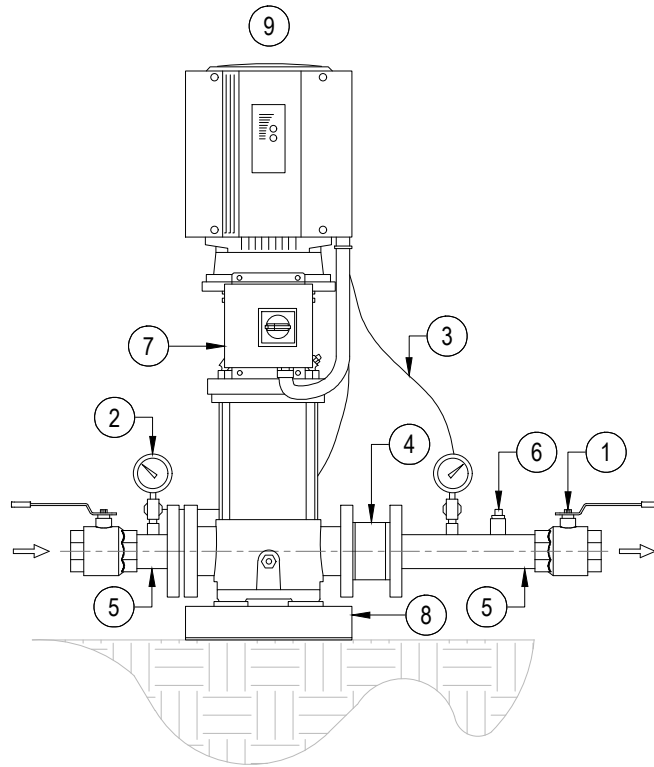


GENERAL NOTES

- ① - TWO (2) FACTORY INSTALLED ISOLATION VALVES, NPT CONNECTION.
- ② - TWO (2) FACTORY INSTALLED TRERICE D80 PRESSURE GAUGES.
- ③ - TWO (2) FACTORY INSTALLED DANFOSS MBS 3000 PRESSURE TRANSMITTERS.
- ④ - FACTORY INSTALLED SPRING LOADED CHECK VALVE.
- ⑤ - FACTORY INSTALLED 316SS SCHEDULE 10 SUCTION AND DISCHARGE PIPE MANIFOLD.
- ⑥ - 3/4" EXPANSION TANK CONNECTION. INCLUDED EXPANSION TANK IS AVAILABLE UPON REQUEST.
- ⑦ - FACTORY INSTALLED AND WIRED ELECTRICAL SHUT OF SWITCH WITH LOCKABLE OFF POSITION IN A NEMA 3R ENCLOSURE.
- ⑧ - 304 SS BASE FRAME WITH RUBBER VIBRATION DAMPENERS FITTED BETWEEN EACH PUMP AND THE BASE FRAME.
- ⑨ - FOR EASE OF FUTURE MAINTENANCE IT IS RECOMMENDED TO PROVIDE A CEILING MOUNTED EYELET DIRECTLY ABOVE PUMP.



① GRUNDFOS CRE-PLUS PUMP DETAIL

SCALE: NTS



DRAWING TITLE:
GRUNDFOS CRE-PLUS PUMP DETAIL FOR
ENGINEERING DOCUMENTS

DRAWING NUMBER:
013

DRAWN BY
BM

LAST REVISED
04.07.22

DRAWING SCALE
NTS

THE DOCUMENT AND ALL INFORMATION SHOWN IS PROPERTY OF HURLEY ENGINEERING, INC. THIS DOCUMENT IS NOT TO BE REDISTRIBUTED OR COPIED OR USED FOR THE MANUFACTURING OF EQUIPMENT WITHOUT PRIOR WRITTEN CONSENT FROM HURLEY ENGINEERING, INC.

QR CODE

